

## Innovative LED Signal Tower in half-round design

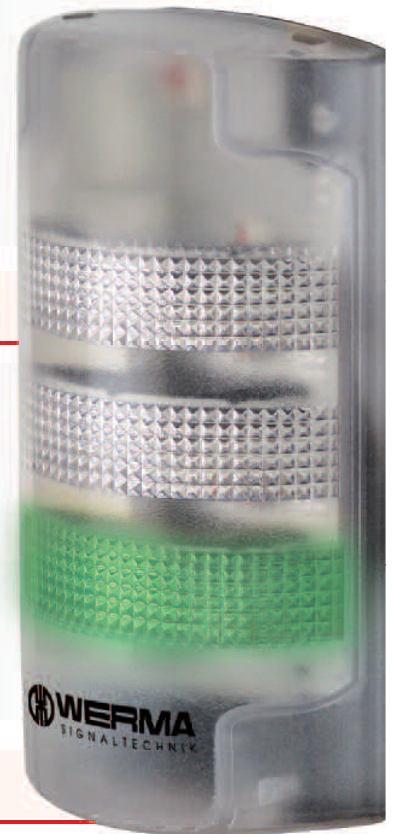


The new LED Signal Tower FlatSIGN stands out from the competition with its range of innovative functions and unique advantages: in particular its aesthetically pleasing, half-round design which facilitates a 160 degree angle of radiation for the light signal. This guarantees optimal signal visibility, even from the side.

If no signal is active, the LED Tower blends into the background with its flat housing – without distracting from the design of the machine or its surroundings. The tower fits perfectly into its surroundings and is available with either a transparent housing or in an attractive metallic finish.

### Wide range of applications

The FlatSIGN can be deployed in a wide range of application fields: from logistics, warehousing and materials handling to machine and plant engineering. Thanks to its high quality workmanship and appearance it is also suitable for building services applications. The high protection rating IP 65 ensures it can be used both inside and outside.



## The advantages at a glance

- ✓ Permanent or blinking light adjustable
- ✓ High quality workmanship and appearance
- ✓ 60 degree angle of radiation – the light signal is also clearly visible from the side
- ✓ Also available with integrated loud audible signal (depending on the variant, either a buzzer or multi-tone sounder)
- ✓ Flexible, customer-friendly mounting options and simple connection
- ✓ Comprehensive fixing kit available as accessory

## Comprehensive fixing kit



With its half-round form, the new FlatSIGN is predestined for mounting on flat surfaces such as walls or machines. Thanks to the comprehensive fixing kit, available as an accessory, a further range of versatile mounting options are possible.

### Flexible and versatile mounting

The fixing kit consists of an adapter, two tube clamps as well as small parts and provides a wide range of mounting options:

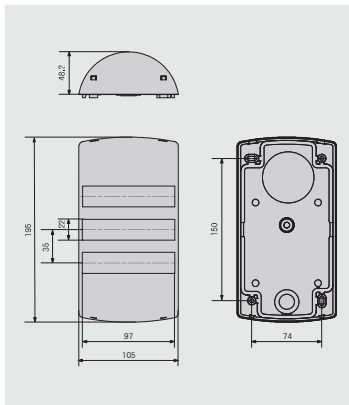
- If the Signal Tower is to be connected via surface wiring, then it can be simply attached using the adapter.
- The adapter also enables the beacon to be quickly and simply mounted onto a flush-mounted socket.
- In addition, the adapter enables simple mounting onto aluminium profiles.
- For Tube Mounting (Ø 24 - 25 mm) the adapter and the two tube clamps are employed.



In its inactive state, the signal tower blends into the background thanks to its colourless, translucent housing



The fixing kit consists of two tube clamps and an adapter



- Innovative LED signal tower in half-round design
- 160 degree angle of radiation – the light signal is also clearly visible from the side
- Permanent or blinking light adjustable
- With optional integrated, high output buzzer
- Simple, customer-friendly mounting
- Comprehensive fixing kit for a wide range of mounting options (accessory)

#### **i** TECHNICAL SPECIFICATIONS:

Dimensions (D x W x H):	195 mm x 105 mm x 55 mm
Back board:	PC-ABS, black
Housing:	PC, transparent
Dome:	PC, transparent
Fixing:	Wall Mounting
Connection:	Screwable connection max. 1.5 mm <sup>2</sup>
Current consumption:	Optical Signal: 30 mA per tier Audible Signal: 30 mA
Light effects:	Permanent or Blinking light adjustable
Audible signal:	Buzzer or Multi-Tone Sounder (8 tones)

#### **🛒** ORDER SPECIFICATIONS:

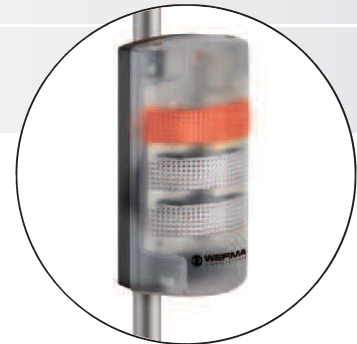
FlatSIGN without Audible Signal red/yellow/green	24 V =	115-230 V ~
	<b>691 100 55</b>	<b>691 100 68</b>
FlatSIGN with Audible Signal Audible Signal red/yellow/green	24 V =	115-230 V ~
	<b>691 200 55</b>	<b>691 200 68</b>

Available: 3rd quarter 2009.

#### **🏠** ACCESSORIES:

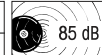
Fixing kit **975 691 01**  
Contents: 2 tube clamps for tube (Ø 24 - 25 mm) and adapter

The fixing kit enables Tube Mounting (Ø 24 - 25 mm) or attachment to aluminium profile, over a flush-mounted socket or for surface wiring options



Innovative fixing kit for flexible and versatile mounting options

In preparation





FlatSIGN in silver finish

- Innovative LED signal tower in half-round design
- 160 degree angle of radiation – the light signal is also clearly visible from the side
- Permanent or blinking light adjustable
- With optional integrated, high output buzzer
- Simple, customer-friendly mounting
- Comprehensive fixing kit for a wide range of mounting options (accessory)

#### **i** TECHNICAL SPECIFICATIONS:

Dimensions (D x W x H):	195 mm x 105 mm x 55 mm
Back board:	PC-ABS, black
Housing:	PC, silver
Dome:	PC, transparent
Fixing:	Wall Mounting
Connection:	Screwable connection max. 1.5 mm <sup>2</sup>
Current consumption:	Optical Signal: 30 mA per tier Audible Signal: 30 mA
Light effects:	Permanent or Blinking light adjustable
Audible signal:	Buzzer or Multi-Tone Sounder (8 tones)

#### **🛒** ORDER SPECIFICATIONS:

<b>FlatSIGN without Audible Signal</b> red/yellow/green	24 V= <b>691 300 55</b>	115-230 V~ <b>691 300 68</b>
<b>FlatSIGN with Audible Signal</b> Audible Signal red/yellow/green	24 V= Multi-Tone Sounder <b>691 400 55</b>	115-230 V~ Buzzer <b>691 400 68</b>

Available: 3rd quarter 2009.

#### **🔧** ACCESSORIES:

Fixing kit  
Contents: 2 tube clamps for tube (Ø 24 - 25 mm) and adapter

**975 691 01**

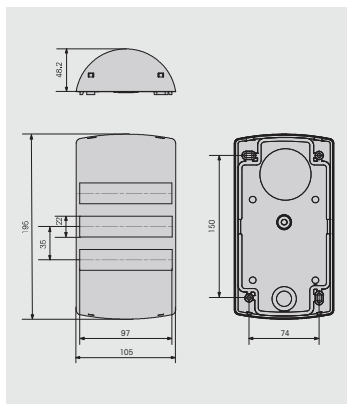
The fixing kit enables Tube Mounting (Ø 24 - 25 mm) or attachment to aluminium profile, over a flush-mounted socket or for surface wiring options



Clear domes ensure signalling effect even in direct sunlight



The fixing kit consists of two tube clamps and an adapter



In preparation

