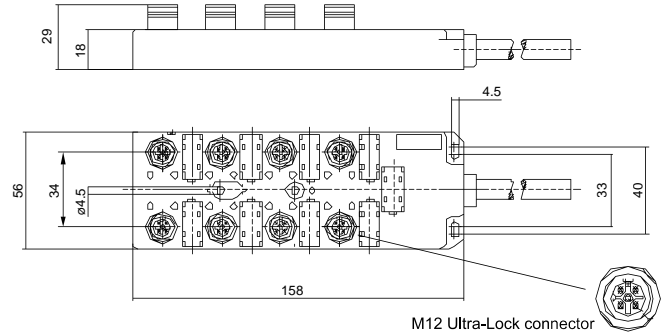


ULTRA-LOCK™ DISTRIBUTION BOXES

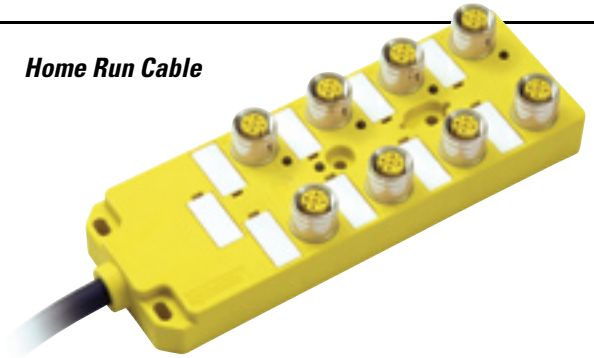
Ultra-Lock Distribution Boxes are offered with 4, 6 or 8 ports, with single- or dual-input/output (I/O) per port. They are available in a variety of formats for backward compatibility with different connector styles. We also offer cabled or two-connector styles for the “Home Run” connection.

- Accepts Ultra-Lock and threaded M12 cordsets.
- For connecting actuators and sensors.



Dimensions (mm)

Home Run Cable



TECHNICAL DATA

Mechanical

Housing	PBT
Contact Carrier	PBT
Shell Material	Nickel over Brass
Contact	Phosphor Bronze
Contact Plating	Gold over Nickel
Cable Jacket	PUR
O-Ring	Viton

Electrical

Rated Voltage (IEC 60 664-1)	10-30 VDC
Insulation Resistance (IEC 60 512-2)	>10 ⁹ Ω
Rated Current T amb. 40C (IEC 60 512-3)	2 Amps per I/O
Maximum Total Current	12 Amps
Contact Resistance (IEC 60 512-2)	<5mΩ

Environmental

Pollution Degree (IEC 60 664-1)	3
Protection (IEC 60 529)	IP 67/68/69K
Operating Temperature	-25°C / 90°C

Certification

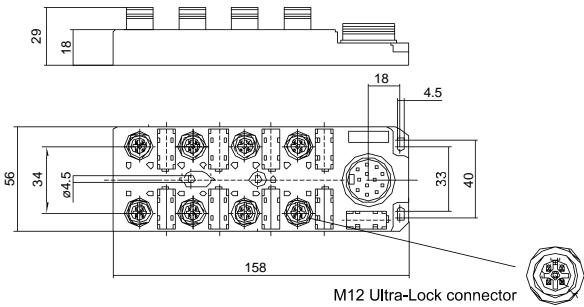
CSA & UL

ORDERING INFORMATION

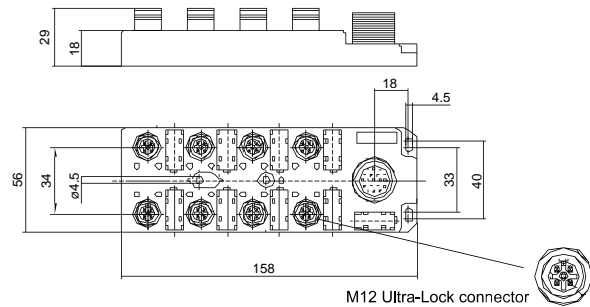
Description	w/Integral Cable (5 meter)	w/Integral Mini-Change® Connector	w/Integral M23 Connector
Single I/O per port	Part No.	Part No.	Part No.
4-Port, 5-Pole/4 wire-single I/O per port	BKY400P-FBP-05	BKY401P-FBB	BKY401P-FBC
6-Port, 5-Pole/4 wire-single I/O per port	BKY600P-FBP-05	BKY601P-FBB	BKY601P-FBC
8-Port, 5-Pole/4 wire-single I/O per port	BKY800P-FBP-05	BKY801P-FBB	BKY801P-FBC
Dual I/O per port	Part No.	Part No.	Part No.
4-Port, 5-Pole/5 wire-dual I/O per port	BKY405P-FBP-05	BKY403P-FBB	BKY403P-FBC
6-Port, 5-Pole/5 wire-dual I/O per port	BKY605P-FBP-05	BKY603P-FBB	BKY603P-FBC
8-Port, 5-Pole/5 wire-dual I/O per port	BKY805P-FBP-05	BKY803P-FBB	BKY803P-FBC

Designed For Performance And Reliability

M12

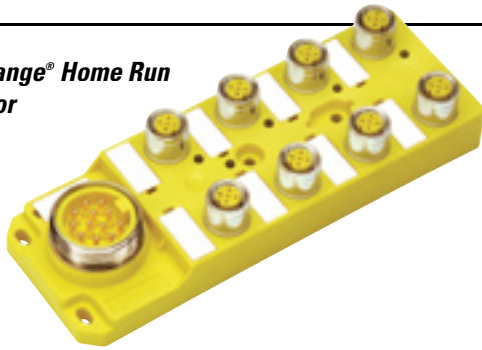


M12 Ultra-Lock connector

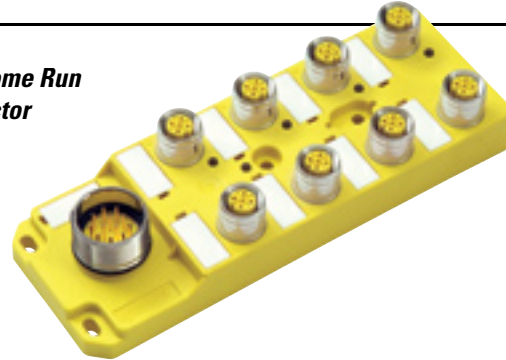


M12 Ultra-Lock connector

Mini-Change® Home Run Connector



M23 Home Run Connector



Mini-Change Home Run Cordsets



M23 Home Run Connectors – Field Attachable



TECHNICAL DATA

Mechanical

Contact Carrier	PVC
Contact	Phosphor Bronze
Contact Plating	Gold over Nickel
Molded Body	PVC
Coupling Nut	Epoxy-Coated Zinc

Electrical

Voltage Rating	300V AC/DC
Amperage	3A for large pins, 2A for small pins

Environmental

Protection	IP 67/68
Operating Temperature	-20°C / 80°C

Certification

CSA & UL

TECHNICAL DATA

Mechanical

Contact	Phosphor Bronze
Contact Plating	Gold over Nickel

Electrical

Rated Current	6A Maximum
Rated Voltage	60V
Degree of Protection	IP 67

ORDERING INFORMATION

Mini-Change Home Run Cordset

Length	Straight		Right Angle	
	12 Pin (Single I/O) Part No.	19 Pin (Dual I/O) Part No.	12 Pin (Single I/O) Part No.	19 Pin (Dual I/O) Part No.
5M	302100B04M050	303000B20M050	302101B04M050	303001B20M050
10M	302100B04M100	303000B20M100	302101B04M100	303001B20M100

M23 Home Run Connector – Field Attachable

	Part No.	Cable Diameter
90° Connector-Female**	C12FA01122	0.24"-0.39" (6-10mm)
90° Connector-Female**	C12FA01123	0.31"-0.47" (8-12mm)
90° Connector-Female**	C12FA01124	0.39"-0.55" (10-14mm)

** Connectors only - does not include cable.