



Description

The Model 33 line of LCD hour meters provides a large display, 7mm high figures, in the industry size housings. The hour meters are available in a variety of mountings: 2-hole rectangular, 3-hole round, flush-round and flush-rectangular. Voltage operating ranges are 10-277 VDC AND 20-277VAC 50/60Hz. All models are totally sealed from moisture and dirt and conform to NEMA 4 & 4X specifications when mounted with the optional gasket. Their rugged construction makes them ideal replacements for current hour meters. Units have polarized LCD for high visibility in sunlight.

Features

- AC or DC voltage input in the same unit
- Totally sealed from moisture and dirt
- Run indicator-blinking decimal point
- Always on display
- Compact depth
- AC Voltage input is not frequency sensitive
- Clip retainer mount or screws (supplied)

Options

- Custom logos and bezels
- Terminations
- Remote reset - dry contact with 6" wire leads
- Gaskets
 - 5003-002S gasket for 2-hole mount
 - 5003-003S gasket for flush-rectangular mount
 - 5003-004S gasket for flush-round mount
 - 5003-005S gasket for 3-hole round mount

Specifications

Display: LCD with large 0.28" [7mm] high figures, black on light background
Run Indicator: Blinking decimal point
Quartz Accuracy: 0.02% over entire voltage & temperature range
Records & Displays: 6 digit (99999.9)
Inputs: 10 to 277VDC AND 20-277VAC-50/60Hz
 Vih* 20VAC or 10VDC minimum
 Vil* 3VAC or 3VDC maximum
Battery Life: 7+ years
Shock: 44 to 55g's, SAE J1378
Vibration: 20 g @ 10 to 80 Hz, SAE J1378
Humidity: 95% SAE J1378

Operating Temperature: -40°F to +185°F [-40°C to +85°C]
Sealing: Totally sealed, panel gaskets-NEMA 4 & 4X
Agency Approvals: CE compliant
 UL/cUL recognized (file# ELIY2.E36690)
 0.250" [6.4mm] spades
Termination: Optional - dry contact with 6" wire leads
Reset: Polymer (black)
Case Material: 1oz [28g]
Weight: Alternator load dump: 150V
Protection Against: EMI(Electromagnetic Interference): +400V @ 500Hz inductive switching and reverse polarity

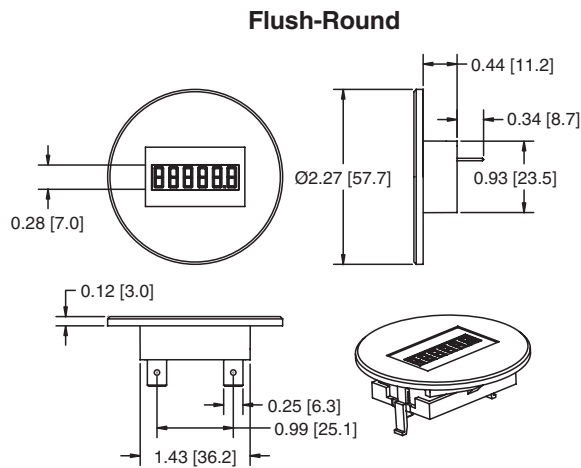
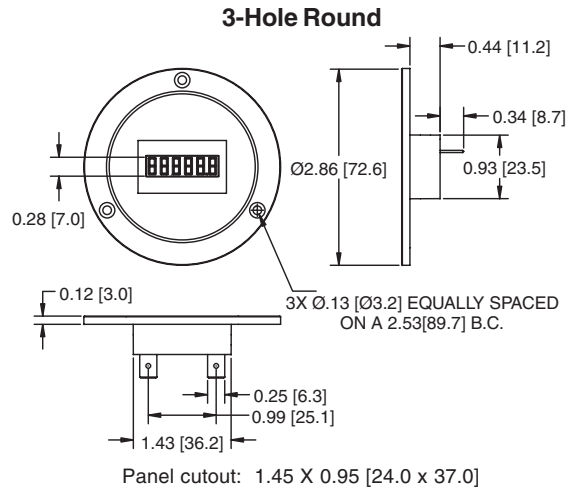
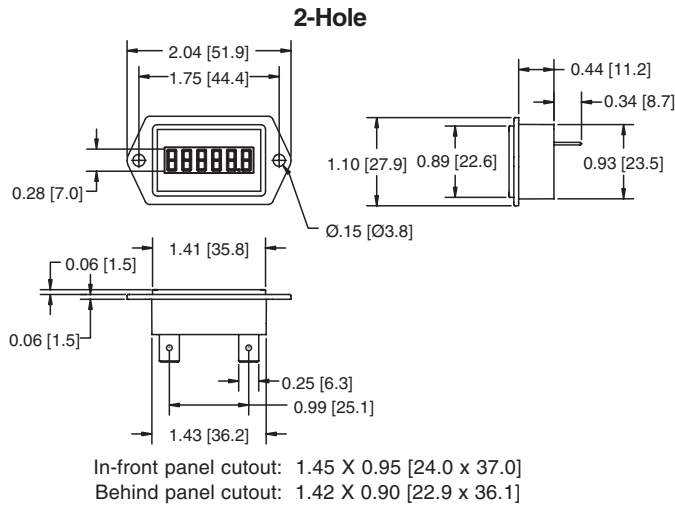
* Vih is the input high voltage. This is specified as the minimum input voltage that the Model 33 will recognize as a high level.
 Vil is the input low voltage. This is specified as the maximum input voltage that the Model 33 will recognize as a low level.

Note: When interfacing the Model 33 with a Solid State Relay or AC Sensor, the leakage current needs to be considered. Contact the factory or see the application note at www.redingtoncounters.com for further information.

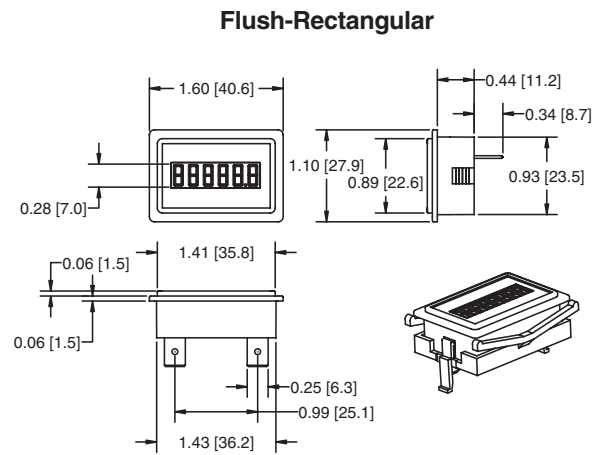
Models	Description	Models	Description
3311-0000	2-Hole Rect., 10-277 VDC AND 20-277VAC	3311-0010	2-Hole Rect., 10-277 VDC AND 20-277VAC, remote reset
3311-1000	3-Hole Round, 10-277 VDC AND 20-277VAC	3311-1010	3-Hole Round, 10-277 VDC AND 20-277VAC, remote reset
3311-2000	Flush Rect., 10-277 VDC AND 20-277VAC	3311-2010	Flush Rect., 10-277 VDC AND 20-277VAC, remote reset
3311-3000	Flush-Round, 10-277 VDC AND 20-277VAC	3311-3010	Flush-Round, 10-277 VDC AND 20-277VAC, remote reset

All parts are normally in factory stock.

Dimensions



Panel cutout: 1.45 X 0.95 [24.0 x 37.0]
Maximum panel thickness: 0.15 [3.8]



Panel cutout: 1.45 X 0.95 [24.0 x 37.0]
Maximum panel thickness: 0.15 [3.8]

Applications

Agricultural Equipment



Medical Devices



Pressure Washers



Sweepers



Construction Equipment



Marine Applications



Generators



Office Equipment



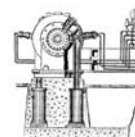
Test Equipment



Boom Lifts



Compressors



Utility Vehicles

