



Mounting Form Table

Section

Front Mounting Switches **A**

Base Mounting Switches **B**

Originator: Sälzer Electric GmbH · Product Data Management (PDM) · 09306 Rochlitz (Germany)
Copyright reserved by Sälzer Electric GmbH. This document replaces all previous issues.
Valid until a new version is published. Changes and revisions reserved.

Mounting form table

Mtg. form	Page
002G1 B1-1	(6)
003G1 A1-1	(4)
041G1 B1-2	(7)
042G1 B1-3	(8)



Section A

Page
from to

Four hole mounting

A1-1

A1-1

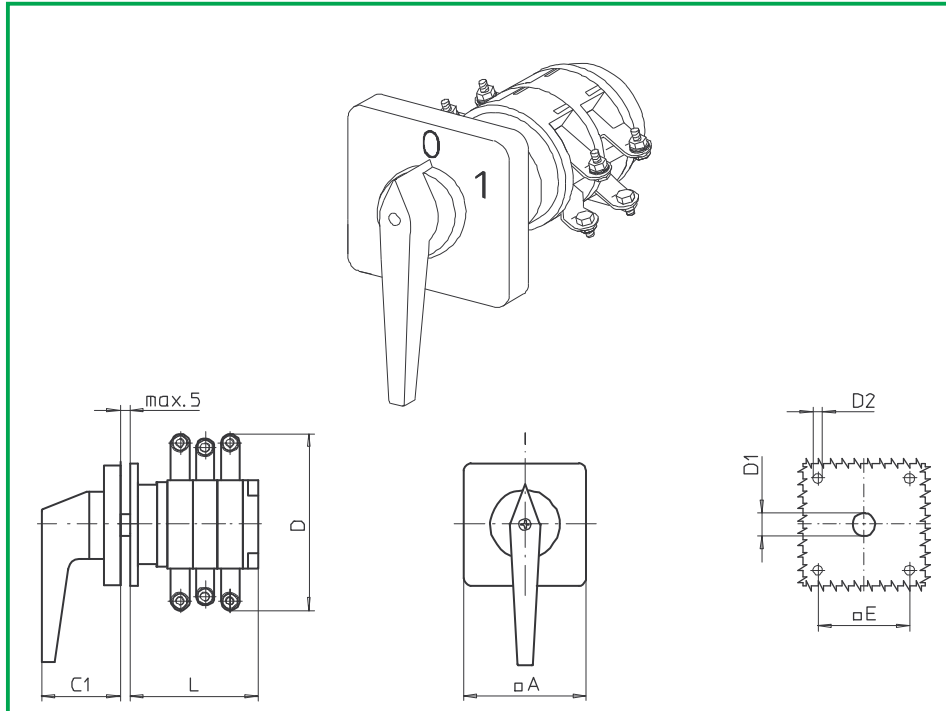
Originator: Sälzer Electric GmbH · Product Data Management (PDM) · 09306 Rochlitz (Germany)

Copyright reserved by Sälzer Electric GmbH. This document replaces all previous issues.

Valid until a new version is published. Changes and revisions reserved.

Front Mounting Switches

sälzer



**Product line
S800**

Front mounting switch

**Four hole mounting
104 x 104 mm**

003G1 (IP55)

Complete switch	Poles	Product lines	Rated data (IEC 60947)			Order code number
			Operational current I _e	Operational power at 380–440 V		
			AC-21A A	AC-23A kW	AC-3 kW	
Rotary Cam Switches Switching angle 30°/45°/60°/90°	1 ... 24	S800	315	132	55	S825 - 61 ... - 003G1

SMD modules for basic switch (GA A45)		
Mounting form module for 003G1	S800	BFA8 - 003
G-operator module 130 x 130 mm, mounting form 003G1 Starting position of the handle 09h Escutcheon black, handle black		8AG1
G-operator module 130 x 130 mm, mounting form 003G1 Starting position of the handle 12h Escutcheon black, handle black		8BG1
Legend plate silver, operator module 003G1		FAS8 - (FA number)

Dimensions (mm)														
Type	A	C1	D*	D1	D2	E	L with ... stages (max. 12)							each add. stage
							1	2	3	4	5	6	7	
S825	130	74	210	20	5,5	104	89	125	161	197	233	269	305	36



Section B

Page
from to

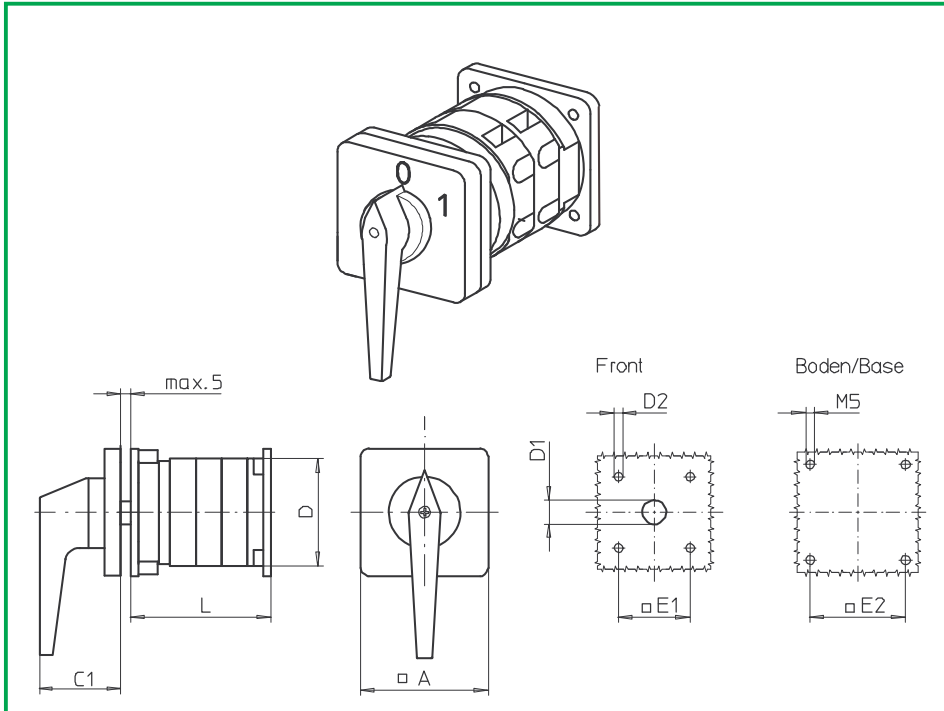
Four hole mounting

B1-1

B1-3

Base Mounting Switches

sälzer



Product line
S800

Base mounting switch

Base/front mounting

Four hole mounting

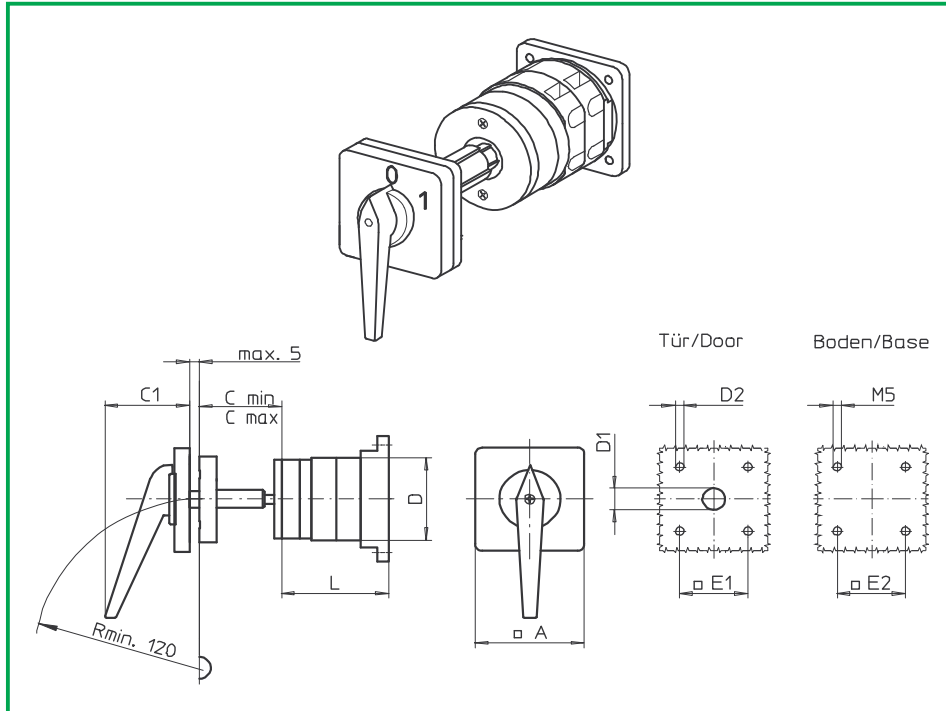
104 x 104 mm front
104 x 104 mm base

002G1

Complete switch	Poles	Product lines	Rated data (IEC 60947)			Order code number								
			Operational current I _e	Operational power at 380–440 V										
			AC-21A A	AC-23A kW	AC-3 kW									
Rotary Cam Switches Switching angle 30°/45°/60°/90°	1 ... 24	S800	315	132	55	S825 - 61 ... - 002G1								
SMD modules for basic switch (GA A45)														
Mounting form module for 002G1			S800			BFA8 - 002								
G-operator module 130 x 130 mm, mounting form 002G1 Starting position of the handle 09h Escutcheon black, handle black						8AG1								
G-operator module 130 x 130 mm, mounting form 002G1 Starting position of the handle 12h Escutcheon black, handle black						8BG1								
Legend plate silver, operator module 002G1						FAS8 - (FA number)								
Dimensions (mm)														
Type	A	C1	D*	D1	D2	E1	E2	L with ... stages (max. 12)				each add. stage		
S825	130	74	210	20	5,5	104	104	1	2	3	4	5	6	36
								96	132	168	204	240	276	
* terminal lugs included														

Base Mounting Switches

sälzer



Product line
S800

Base mounting switch

Door clutch

Four hole mounting

104 x 104 mm front

104 x 104 mm base

041G1 (IP55)

Complete switch	Poles	Product lines	Rated data (IEC 60947)			Order code number
			Operational current I _e	Operational power at 380–440 V		
			AC-21A A	AC-23A kW	AC-3 kW	
Rotary Cam Switches Switching angle 30°/45°/60°/90°	1 ... 24	S800	315	132	55	S825 - 61 ... - 041G1

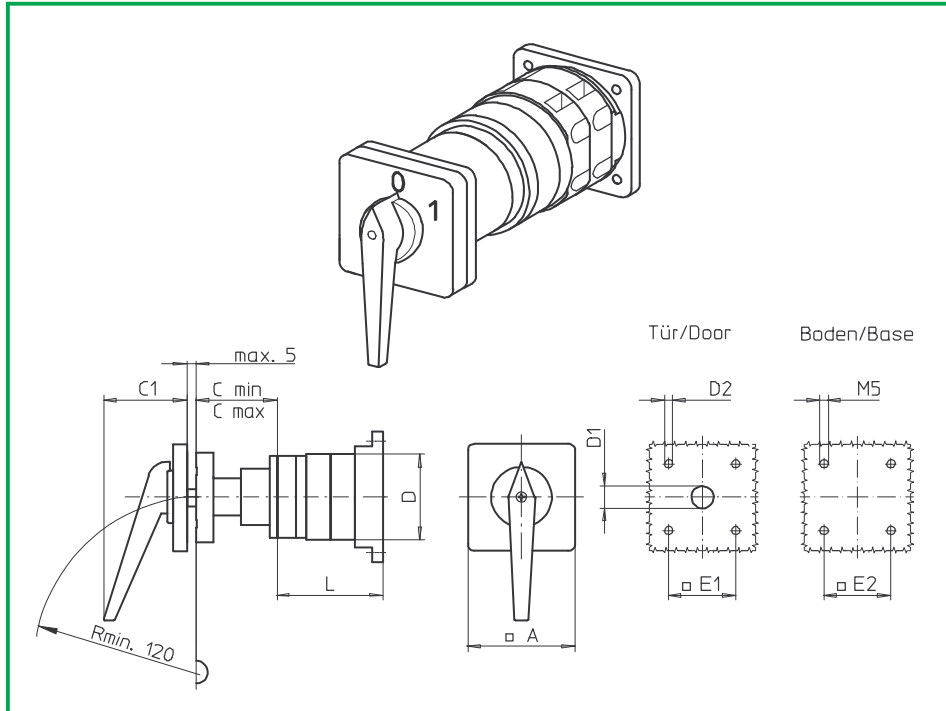
SMD modules for basic switch (GA A45)						
Mounting form module for 041G1					S800	BFA8 - 041
G-operator module 130 x 130 mm, mounting form 041G1						8AG1
Starting position of the handle 09h						
Escutcheon black, handle black						
G-operator module 130 x 130 mm, mounting form 041G1						8BG1
Starting position of the handle 12h						
Escutcheon black, handle black						
Legend plate silver, operator module 041G1						FAS8 - (FA number)

Dimensions (mm)											L with ... stages (max. 12) each add.			
Type	A	Cmin	Cmax	C1	D*	D1	D2	E1	E2		1	2	3	stage
S825	130	75	102	74	210	20	5,5	104	104		90	126	162	36

* terminal lugs included

Base Mounting Switches

sälzer



Product line
S800

Base mounting switch

Door interlock

Four hole mounting

104 x 104 mm front

104 x 104 mm base

042G1 (IP55)

Complete switch	Poles	Product lines	Rated data (IEC 60947)			Order code number
			Operational current I _e	Operational power at 380–440 V		
			AC-21A A	AC-23A kW	AC-3 kW	
Rotary Cam Switches Switching angle 30°/45°/60°/90°	1 ... 24	S800	315	132	55	S825 - 61 ... - 042G1

SMD modules for basic switch (GA A45)						
Mounting form module for 042G1					S800	BFA8 - 042
G-operator module 130 x 130 mm, mounting form 042G1						8AG1
Starting position of the handle 09h						
Escutcheon black, handle black						
G-operator module 130 x 130 mm, mounting form 042G1						8BG1
Starting position of the handle 12h						
Escutcheon black, handle black						
Legend plate silver, operator module 042G1						FAS8 - (FA number)

Dimensions (mm)													
Type	A	Cmin	Cmax	C1	D*	D1	D2	E1	E2	L with ... stages (max. 12)			each add. stage
										1	2	3	
S825	130	75	102	74	210	20	5,5	104	104	90	126	162	36

* terminal lugs included



Faster deliveries through SMD

In order to ensure even greater flexibility for worldwide supply availability within 24h, Sälzer Electric has introduced the SMD (Sälzer Modular Design) system.

SMD modules are individually prefabricated and tested all-in-one modules which SMD Service holds in stock in sufficient quantities. From basic switch modules, mounting form modules and operator modules, SMD Service can assemble a complete switch requested by the customer and pack it ready for delivery in just a few actions.

– **back** –



**INDUSTRIAL
SAFETY SALES INC.**

P.O. Box 126 -- 4112 Sheridan Road
Kenosha, WI 53141
Fax: (262) 652-1388
E-mail: safetysensing@earthlink.net

(262) 652-8660