



Mounting Form Table

**K830
315 A**

Section

Front Mounting Switches	A
Base Mounting Switches	B
Enclosed Switches	C
Accessories	D

Originator: Sälzer Electric GmbH · Product Data Management (PDM) · 09306 Rochlitz (Germany)
Copyright reserved by Sälzer Electric GmbH. This document replaces all previous issues.
Valid until a new version is published. Changes and revisions reserved.

Mounting Form Table



Mtg. form	Pages	Mtg. form	Pages	Mtg. form	Pages	Mtg. form	Pages
003G1	A1-1 (4)	042H1	B1-3 (10)	187H1	C2-1 (17)	TCA8	D1-1 (22)
003H1	A1-2 (5)	043H1	B1-3 (10)	187H4	C2-1 (17)		
004H1	A1-2 (5)	077H1	C1-1 (14)	286H1	C2-4 (20)		
033H1	A1-3 (6)	077H4	C1-1 (14)	287H1	C2-3 (19)		
033H4	A1-3 (6)	176H1	C1-3 (16)	287H4	C2-3 (19)		
034H1	B1-1 (8)	177H1	C1-2 (15)	483H1	B2-1 (11)		
034H4	B1-1 (8)	177H4	C1-2 (15)	483H4	B2-1 (11)		
042G1	B1-2 (9)	186H1	C2-2 (18)	484H1	B2-2 (12)		



Section A

Page
from to

Four hole mounting

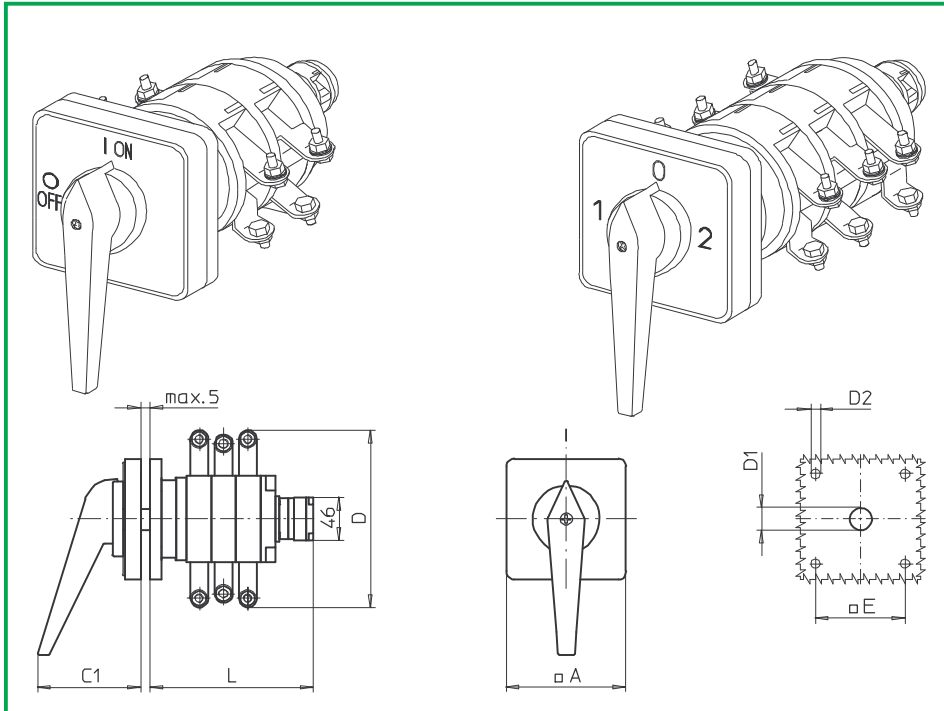
A1-1

A1-3

Originator: Sälzer Electric GmbH · Product Data Management (PDM) · 09306 Rochlitz (Germany)
Copyright reserved by Sälzer Electric GmbH. This document replaces all previous issues.
Valid until a new version is published. Changes and revisions reserved.

Front Mounting Switches

sälzer



Product line
K830

Front mounting switch

Four hole mounting
104 x 104 mm

003G1 (IP55)

Complete Switch	Poles	Product lines	Rated Data (IEC 60947)			Order Code Number
			Operational current I_e	Operational power at 380–440V		
			AC-21A A	AC-23A kW	AC-3 kW	
ON-OFF Switches Switching angle 90° Starting position of the handle 09h	3 ... 8	K830	315	132	55	K830 - 41 ... - 003G1
Changeover with OFF Switching angle 90° Starting position of the handle 12h	3 ... 4	K830	315	132	55	K830 - 71 ... - 003G1

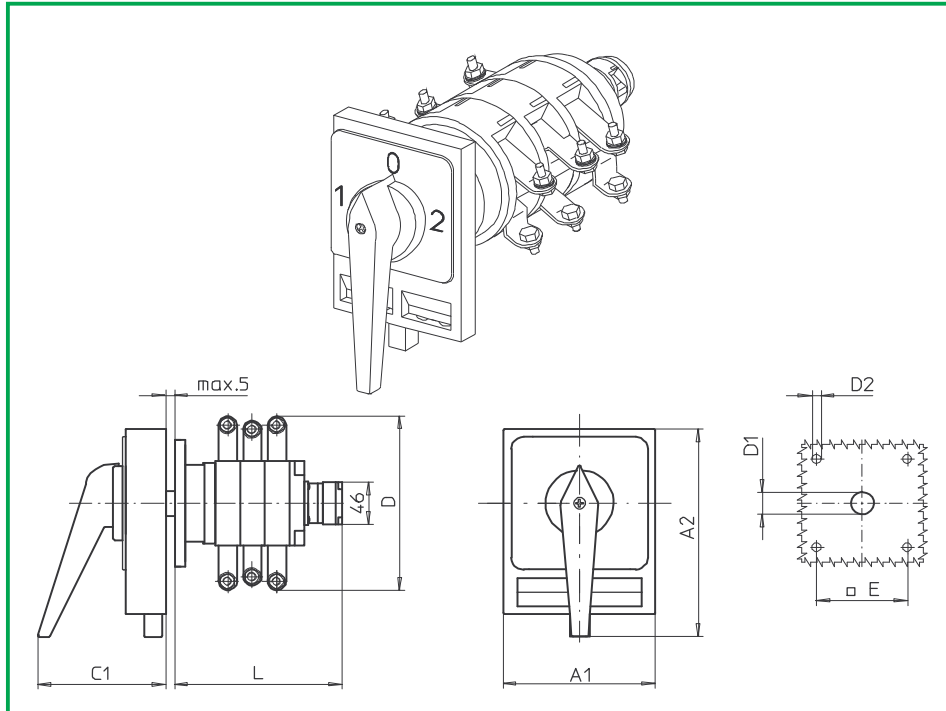
SMD modules for basic switch	(GA A01)		
Mounting form module for 003G1		K830	BFA8 - 003
G-operator module 130 x 130 mm, mounting form 003G1 Escutcheon black, handle black, Starting position of the handle 09h			8AG1
G-operator module 130 x 130 mm, mounting form 003G1 Escutcheon black, handle black, Starting position of the handle 12h			8BG1
Legend plate silver, operator module 003G1			FAS8 - (FA number)

Dimensions (mm)						
Product line	A	C1	D*	D1	D2	E
K830	130	74	210	20	5,5	104
Switching programmes ¹⁾						
Dimension L	ON-OFF Switches		Changeover Switches			
125	41300, 41400		-			
161	41600		71300			
163	41311, 41320, 41411, 41420		-			
197	41800		71400			
199	41611, 41620		71311, 71320			

* Terminal lugs included
¹⁾ Examples, other switching programmes on request

Front Mounting Switches

sälzer



**Product line
K830**

Front mounting switch

**Four hole mounting
104 x 104 mm**

**003H1 (IP55)
004H1 (IP55)**

Complete Switch	Poles	Product lines	Rated Data (IEC 60947)			Order Code Number
			Operational current I _e AC-21A A	Operational power at 380–440V AC-23A kW	AC-3 kW	
Changeover with OFF Switching angle 90° OFF position padlockable 12h	3 ... 4	K830	315	132	55	K830 - 71 ... - 003H1
Changeover with OFF Switching angle 90° 3 positions padlockable (09h/12h/03h)	3 ... 4	K830	315	132	55	K830 - 71 ... - 004H1

SMD modules for basic switch	(GA A01)		
Mounting form module for 003H1/ 004H1		K830	BFA8 - 003
H-operator module 130 x 160 mm, mounting form 003H1 Padlock device black, H-handle black			8BH1 - 12
H-operator module 130 x 160 mm, mounting form 004H1 Padlock device black, H-handle black			8BH1 - 99
Legend plate silver, operator module 003H1/ 004H1			FAS8 - (FA number)

Dimensions (mm)							
Product line	A1	A2	C1	D*	D1	D2	E
K830	130	178	93	210	20	5,5	104

Switching programmes ¹⁾	
Dimension L	Changeover Switches
161	71300
197	71400
209	71311, 71320

* Terminal lugs included
¹⁾ Examples, other switching programmes on request

Front Mounting Switches

sälzer

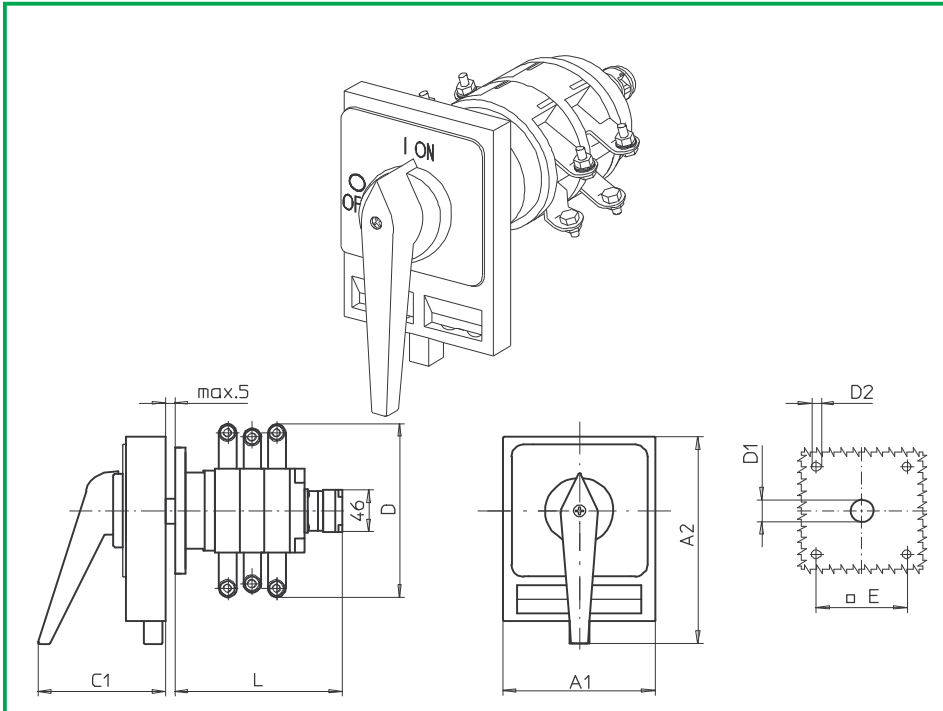
**Product line
K830**

Front mounting switch

Four hole mounting
104 x 104 mm

033H1 (IP55 front)

033H4 (IP55 front)



Complete Switch	Poles	Product lines	Rated Data (IEC 60947)			Order Code Number
			Operational current I _e	Operational power at 380–440V		
			AC-21A A	AC-23A kW	AC-3 kW	
Main Switches Switching angle 90° OFF position padlockable 09h	3 ... 8	K830	315	132	55	K830 - 41 ... - 033H1
Main/Emergency-Off Switches Switching angle 90° OFF position padlockable 09h	3 ... 8	K830	315	132	55	K830 - 41 ... - 033H4

SMD modules for basic switch	(GA A01)				
Mounting form module for 033H.			K830		BFA8 - 003
H-operator module 130 x 160 mm, mounting form 033H1 Padlock device black, H-handle black					8AH1 - 09
H-operator module 130 x 160 mm, mounting form 033H4 Padlock device black, H-handle red					8AH4 - 09
Legend plate silver, operator module 033H1					FAS8 - (FA number)
Legend plate yellow, operator module 033H4					FBS8 - (FA number)
Terminal cover			2 x		TCA8

Dimensions (mm)							
Product line	A1	A2	C1	D*	D1	D2	E
K830	130	178	93	210	20	5,5	104
Switching programmes ¹⁾							
Dimension L	Main/Emergency-Off Switches						
125	41300, 41400						
161	41600						
163	41311, 41320, 41411, 41420						
197	41800						
199	41611, 41620						

* Terminal lugs included

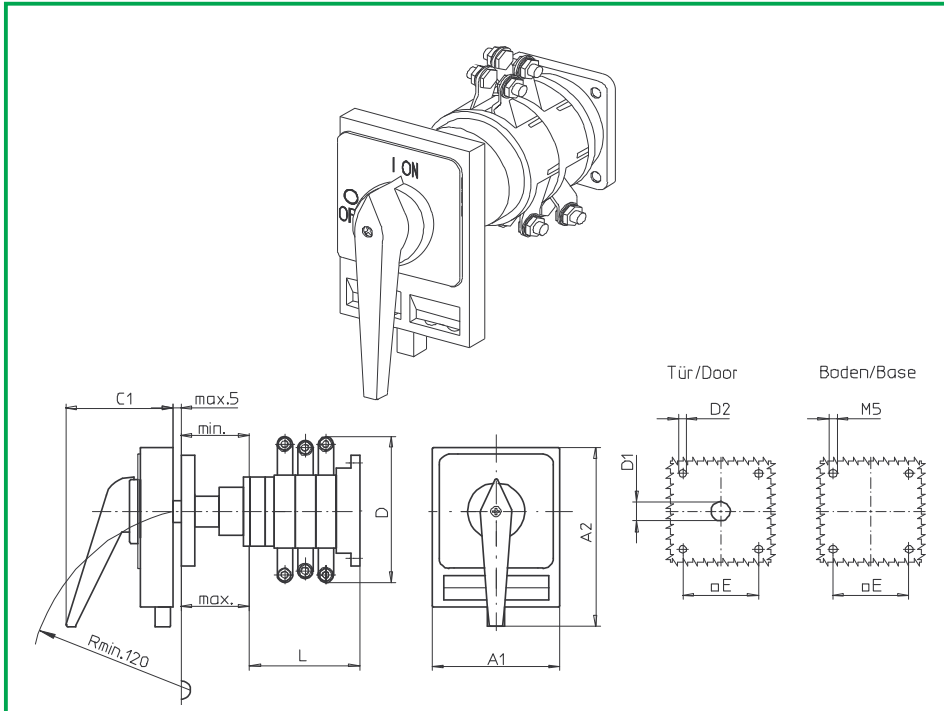
¹⁾ Examples, other switching programmes on request



Section B

	Page	
	from	to
Door interlock Four hole front mounting	B1-1	B1-3
Door interlock with mounting plate Four hole front mounting	B2-1	B2-2

Base Mounting Switches



Product line
K830

Base mounting switch

Door interlock

Four hole mounting
 104 x 104 mm base
 104 x 104 mm front

034H1 (IP55)
034H4 (IP55)

Complete Switch	Poles	Product lines	Rated Data (IEC 60947)			Order Code Number
			Operational current I _e	Operational power at 380–440V		
			AC-21A A	AC-23A kW	AC-3 kW	
Main Switches Switching angle 90° OFF position padlockable 09h	3 ... 8	K830	315	132	55	K830 - 41 ... - 034H1
Main/Emergency-Off Switches Switching angle 90° OFF position padlockable 09h	3 ... 8	K830	315	132	55	K830 - 41 ... - 034H4

SMD modules for basic switch	(GA A02)		
Mounting form module for 034H.		K830	BFA8 - 042
H-operator module 100 x 160 mm, mounting form 034H1 Padlock device black, Padlockable handle black			8AH1 - 09
H-operator module 100 x 160 mm, mounting form 034H4 Padlock device black, Padlockable handle red			8AH4 - 09
Legend plate silver, operator module 034H1			FAS8 - (FA number)
Legend plate yellow, operator module 034H4			FBS8 - (FA number)
Terminal cover		2 x	TCA8

Dimensions (mm)										L with ... stages			
Type	A1	A2	C1	D*	D1	D2	E	min.	max.	1	2	3	4
K830	130	176	93	210	20	5,5	104	75	102	89	125	161	197

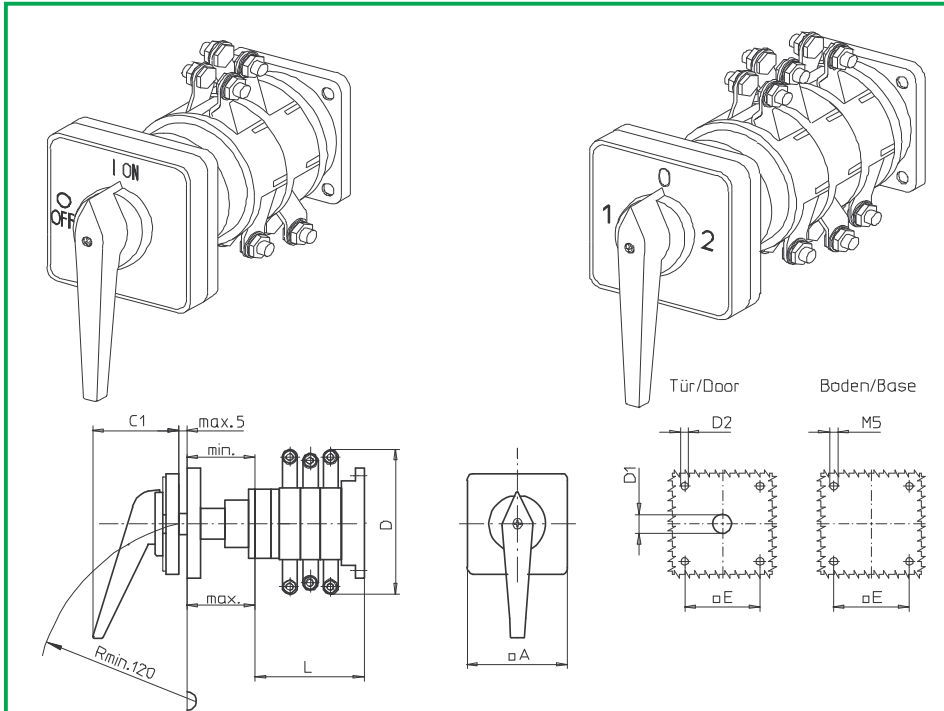
Switching programmes ¹⁾

Dimension L	Main/Emergency-Off Switches
125	41300, 41400
161	41600
197	41800

* Terminal lugs included
¹⁾ Examples, other switching programmes on request

Base Mounting Switches

sälzer



Product line
K830

Base mounting switch

Door interlock

Four hole mounting
 104 x 104 mm base
 104 x 104 mm front

042G1 (IP55)

Complete Switch	Poles	Product lines	Rated Data (IEC 60947)			Order Code Number
			Operational current I _e	Operational power at 380–440V		
			AC-21A A	AC-23A kW	AC-3 kW	
ON-OFF Switches Switching angle 90° Starting position of the handle 09h	3 ... 8	K830	315	132	55	K830 - 41 ... - 042G1
Changeover with OFF Switching angle 90° Starting position of the handle 12h	3 ... 4	K830	315	132	55	K830 - 71 ... - 042G1

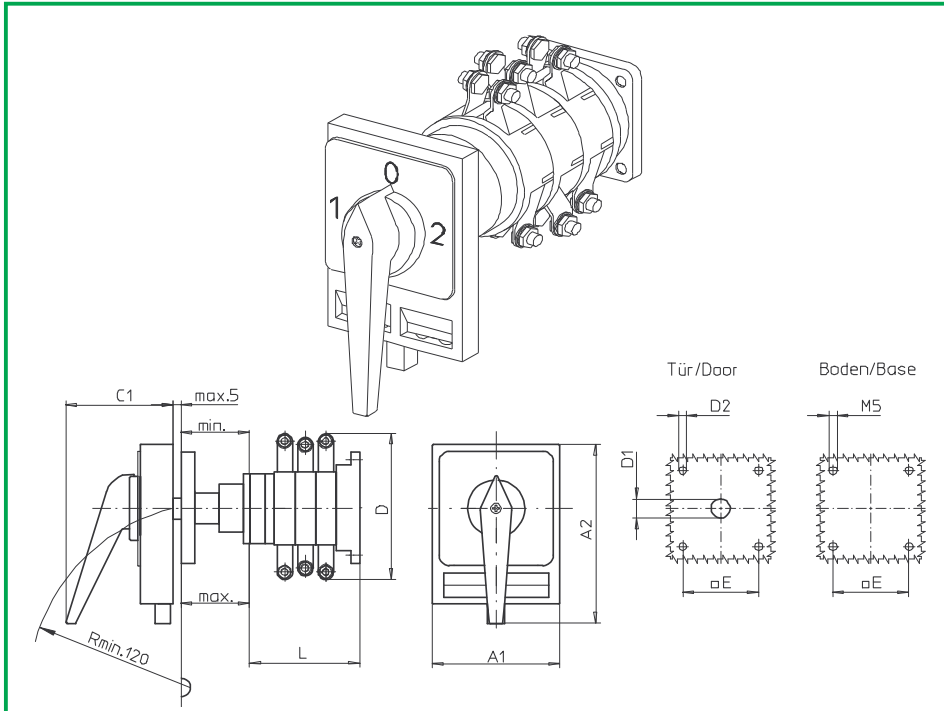
SMD modules for basic switch	(GA A02)		
Mounting form module for 042G.		K830	BFA8 - 042
G-operator module 130 x 130 mm, mounting form 042G1 Escutcheon black, handle black; Starting position of the handle 09h			8AG1
G-operator module 130 x 130 mm, mounting form 042G1 Escutcheon black, handle black; Starting position of the handle 12h			8BG1
Legend plate silver, operator module 042G1			FAS8 - (FA number)

Dimensions (mm)									L with ... stages			
Type	A	C1	D*	D1	D2	E	min.	max.	1	2	3	4
K830	130	74	210	20	5,5	104	75	102	89	125	161	197

Switching programmes ¹⁾	
Dimension L	ON-OFF Switches
125	41300, 41400
161	41600
197	41800
	Changeover Switches
	-
	71300
	71400

* Terminal lugs included
¹⁾ Examples, other switching programmes on request

Base Mounting Switches



Product line
K830

Base mounting switch

Door interlock

Four hole mounting
 104 x 104 mm base
 104 x 104 mm front

042H1 (IP55)
043H1 (IP55)

Complete Switch	Poles	Product lines	Rated Data (IEC 60947)			Order Code Number
			Operational current I _e	Operational power at 380–440V		
			AC-21A A	AC-23A kW	AC-3 kW	
Changeover with OFF Switching angle 90° OFF position padlockable 12h	3 ... 4	K830	315	132	55	K830 - 71 ... - 042H1
Changeover with OFF Switching angle 90° 3 positions padlockable (09h/12h/03h)	3 ... 4	K830	315	132	55	K830 - 71 ... - 043H1

SMD modules for basic switch	(GA A02)		
Mounting form module for 042H1/ 043H1		K830	BFA8 - 042
H-operator module 130 x 160 mm, mounting form 042H1 Padlock device black, H-handle black			8BH1 - 12
H-operator module 130 x 160 mm, mounting form 043H1 Padlock device black, H-handle black			8BH1 - 99
Legend plate silver, operator module 042H1/ 043H1			FAS8 - (FA number)

Dimensions (mm)													
Type	A1	A2	C1	D*	D1	D2	E	min.	max.	L with ... stages			
										1	2	3	4
K830	130	176	93	210	20	5,5	104	75	102	89	125	161	197

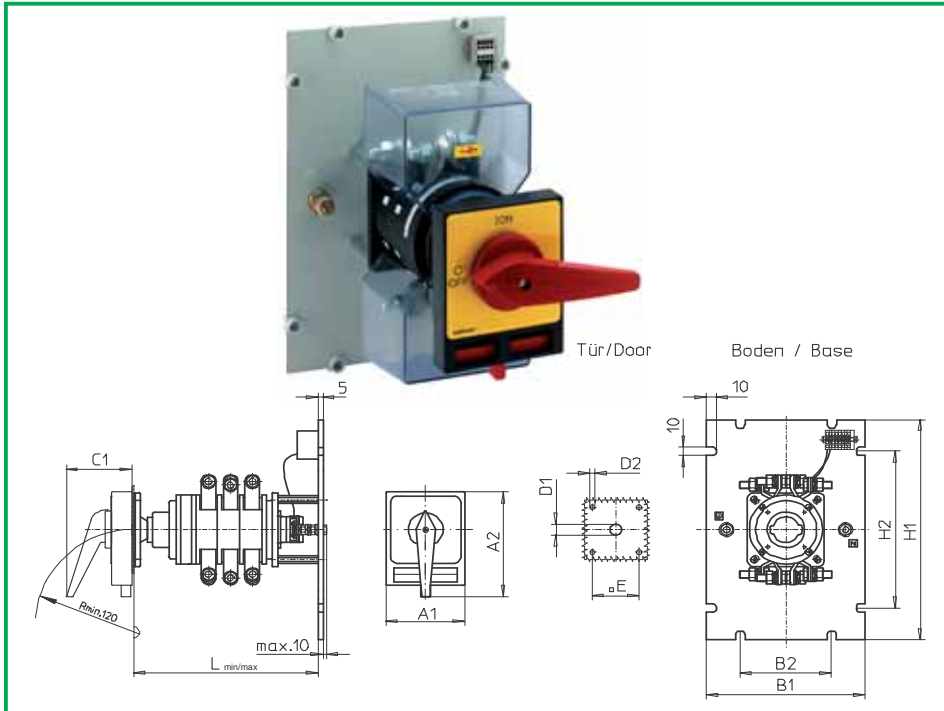
Switching programmes ¹⁾

Dimension L	Changeover Switches
161	71300
197	71400

* Terminal lugs included
¹⁾ Examples, other switching programmes on request

Base Mounting Switches

sälzer



Product line
K830

Base mounting switch

Door interlock
 with mounting plate

Four hole mounting
 150 x 270 mm base
 104 x 104 mm front

483H1 (IP55)
483H4 (IP55)

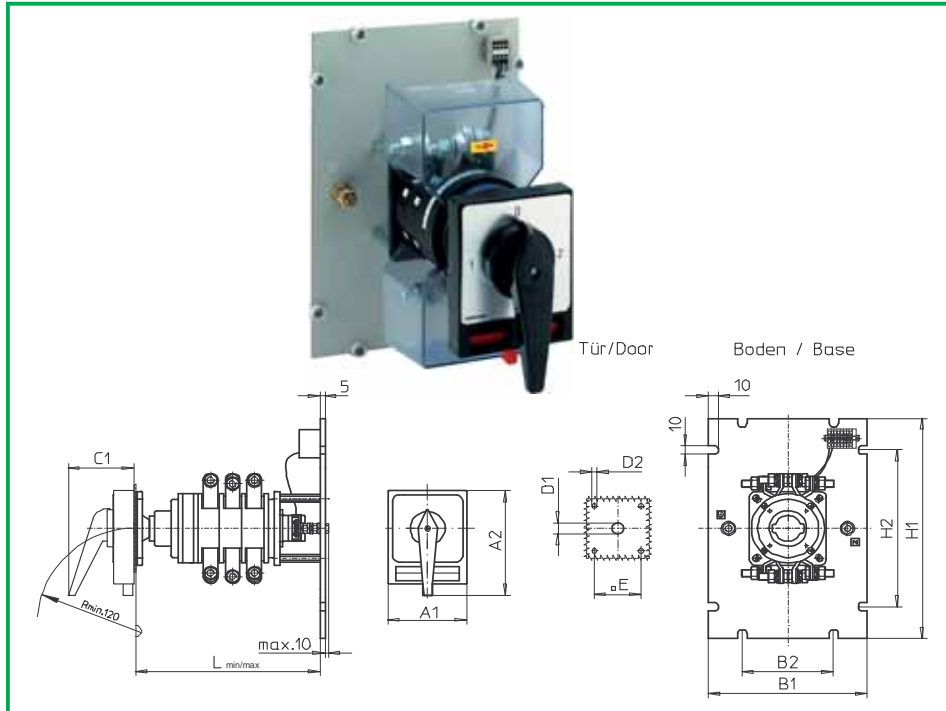
Complete Switch	Poles	Product lines	Rated Data (IEC 60947)			Order Code Number
			Operational current I _e	Operational power at 380–440V		
			AC-21A A	AC-23A kW	AC-3 kW	
Main Switches Switching angle 90° OFF position padlockable 09h	3 ... 8	K830	315	132	55	K830 - 41 ... - 483H1
Main/Emergency-Off Switches Switching angle 90° OFF position padlockable 09h	3 ... 8	K830	315	132	55	K830 - 41 ... - 483H4

SMD modules for basic switch	(GA A02)		
Mounting form module for 483H.		K830	BFA8 - 042
H-operator module 130 x 160 mm, mounting form 483H1 Padlock device black, H-handle black			8CH1-09
H-operator module 130 x 160 mm, mounting form 483H4 Padlock device black, H-handle red			8CH4-09
Legend plate silver, operator module 483H1 Legend plate yellow, operator module 483H4			FAS8 - (FA number) FBS8 - (FA number)
Terminal cover		2 x	TCA8

Dimensions (mm)										
Type	A1	A2	B1	B2	C1	D1	D2	E	H1	H2
K830	130	176	260	150	93	20	5,5	104	380	270
Switching programmes ¹⁾			L _{min}	L _{max}						
41300 and 41400			200	227						
41311, 41320, 41322, 41331, 41340, 41411 and 41420			275	302						
41600, 41611, 41620, 41622, 41631 and 41640			292	319						
41800			272	299						

* Terminal lugs included
¹⁾ Examples, other switching programmes on request

Base Mounting Switches



Product line
K830

Base mounting switch

Door interlock
with mounting plate

Four hole mounting
150 x 270 mm base
104 x 104 mm front

484H1 (IP55)

Complete Switch	Poles	Product lines	Rated Data (IEC 60947)			Order Code Number
			Operational current I _e	Operational power at 380–440V		
			AC-21A A	AC-23A kW	AC-3 kW	
Changeover with OFF Switching angle 90° OFF position padlockable 12h	3 ... 4	K830	315	132	55	K830 - 71 ... - 484H1

SMD modules for basic switch	(GA A02)		
Mounting form module for 484H1		K830	BFA8 - 042
H-operator module 130 x 160 mm, mounting form 484H1			8EH1 - 12
Padlock device black, H-handle black			
Legend plate silver, operator module 484H1			FAS8 - (FA number)
Terminal cover		2 x	TCA8

Dimensions (mm)										
Type	A1	A2	B1	B2	C1	D1	D2	E	H1	H2
K830	130	176	260	150	93	20	5,5	104	380	270
Switching programmes ¹⁾			L _{min}	L _{max}						
71300, 71301, 71302, 71310, 71311, 71312, 71320, 71321 and 71322			292	319						
71400			272	299						

* Terminal lugs included
¹⁾ Examples, other switching programmes on request

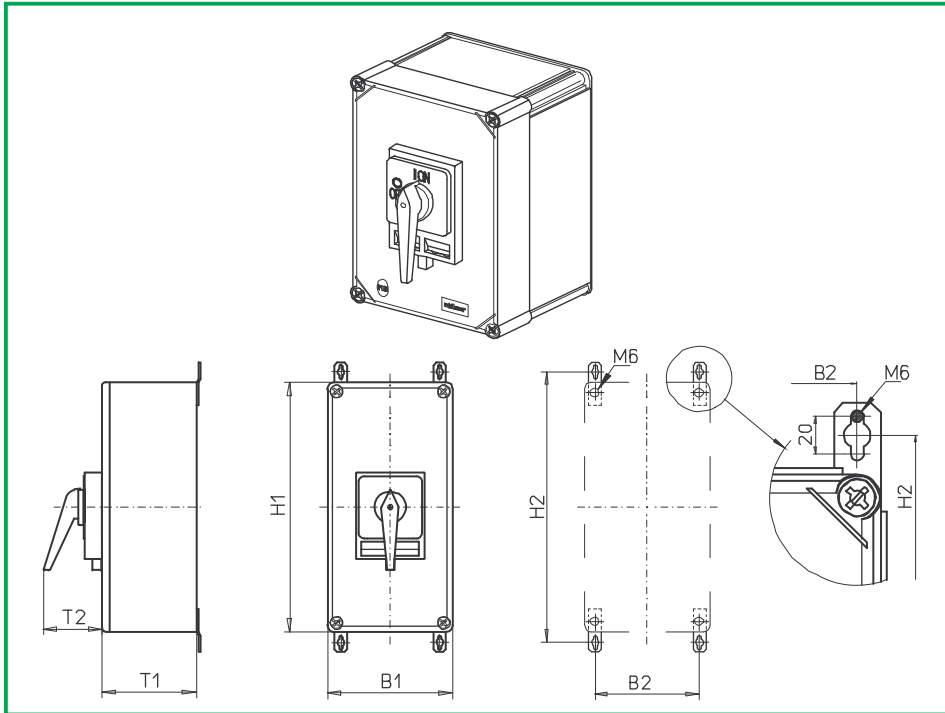


Section C

	Page	
	from	to
Insulated enclosures	C1-1	C1-3
Mild steel enclosures	C2-1	C2-4

Originator: Sälzer Electric GmbH · Product Data Management (PDM) · 09306 Rochlitz (Germany)
Copyright reserved by Sälzer Electric GmbH. This document replaces all previous issues.
Valid until a new version is published. Changes and revisions reserved.

Enclosed Switches



Product line
K830

Enclosed Switches

Insulated enclosures
640 x 320 x 255 mm

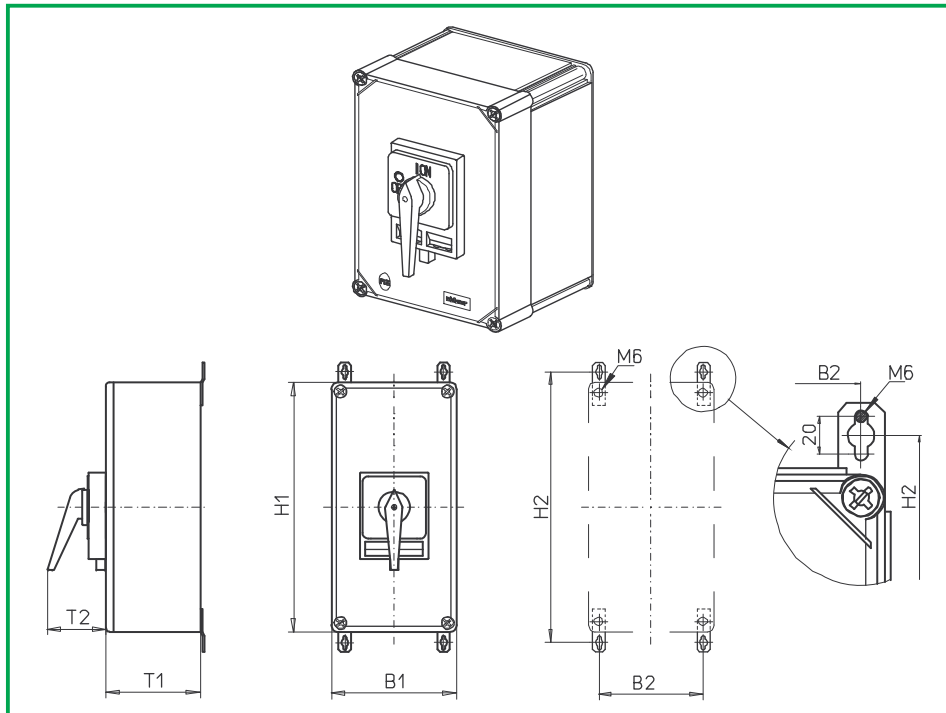
With cover interlock
in ON position

Cable entries
Blank gland plates

077H1 (IP66)
077H4 (IP66)

Complete Switch	Poles	Product lines	Rated Data (IEC 60947)			Order Code Number
			Operational current I _e	Operational power at 380–440V		
			AC-21A A	AC-23A kW	AC-3 kW	
Main Switches Switching angle 90° OFF position padlockable 09h	3 ... 4	K830	315	132	55	K830 - 41 ... - 077H1
Main/Emergency-Off Switches Switching angle 90° OFF position padlockable 09h	3 ... 4	K830	315	132	55	K830 - 41 ... - 077H4
SMD modules for switch module						
Mounting form module			K830			K830 - 41 ... - ED
Enclosure module, mounting form 077H1 H-padlock device black						PAK8 - 077H1
Enclosure module, mounting form 077H4 H-padlock device yellow/red						PAK8 - 077H4
Dimensions (mm)						
Product line	H1	H2	B1	B2	T1	T2
K830	640	680	320	293	255	93
Switching programmes						
41300, 41400	Main Switches and Main/Emergency-Off Switches					

Enclosed Switches



**Product line
K830**

Enclosed Switches

Insulated enclosures
640 x 320 x 330 mm

With cover interlock
in ON position

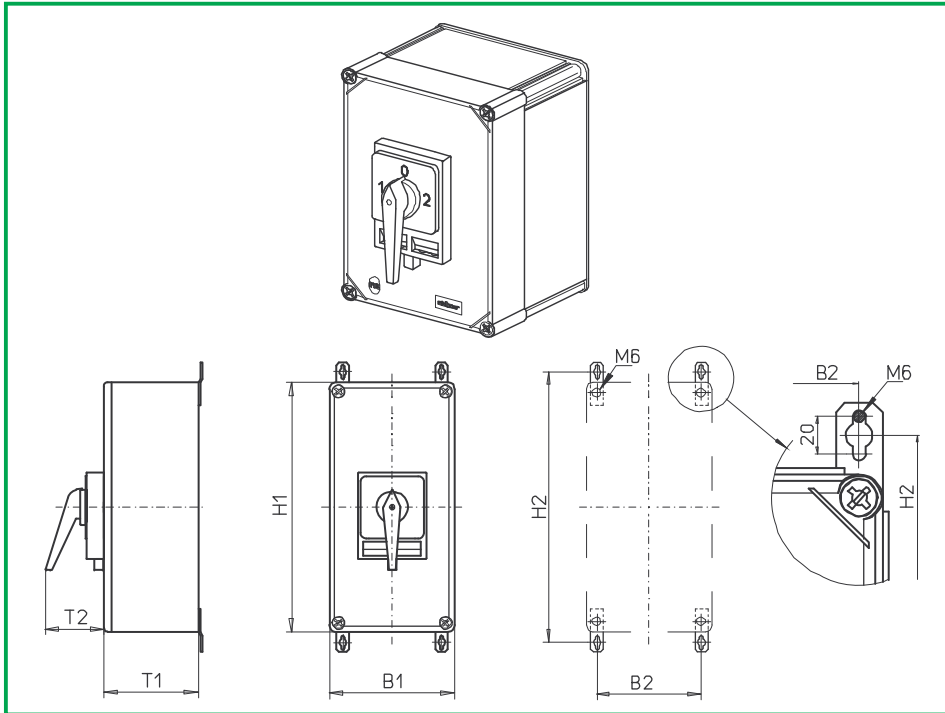
Cable entries
Blank gland plates

177H1 (IP66)

177H4 (IP66)

Complete Switch	Poles	Product lines	Rated Data (IEC 60947)			Order Code Number
			Operational current I _e	Operational power at 380–440V		
			AC-21A A	AC-23A kW	AC-3 kW	
Main Switches Switching angle 90° OFF position padlockable 09h	3 ... 8	K830	315	132	55	K830 - 41 ... - 177H1
Main/Emergency-Off Switches Switching angle 90° OFF position padlockable 09h	3 ... 8	K830	315	132	55	K830 - 41 ... - 177H4
SMD modules for switch module						
Mounting form module			K830			K830 - 41 ... - ED
Enclosure module, mounting form 177H1 H-padlock device black						PAK8 - 177H1
Enclosure module, mounting form 177H4 H-padlock device yellow/red						PAK8 - 177H4
Dimensions (mm)						
Product line	H1	H2	B1	B2	T1	T2
K830	640	680	320	293	330	93
Switching programmes						
41311, 41320, 41411, 41420 41600, 41611, 41620 41800	Main Switches and Main/Emergency-Off Switches					

Enclosed Switches



Product line
K830

Enclosed Switches

Insulated enclosures
640 x 320 x 330 mm

With cover interlock
in position 1 and 2

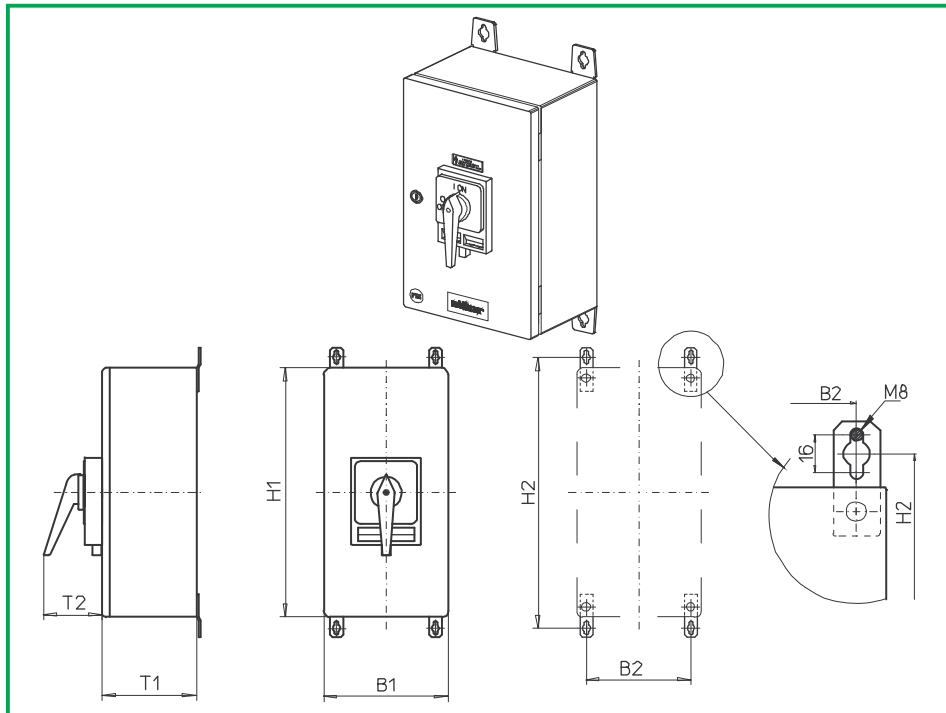
Cable entries
Blank gland plates

176H1 (IP66)

Complete Switch	Poles	Product lines	Rated Data (IEC 60947)			Order Code Number
			Operational current I _e	Operational power at 380–440V		
			AC-21A A	AC-23A kW	AC-3 kW	
Changeover with OFF Switching angle 90° OFF position padlockable 12h	3 ... 4	K830	315	132	55	K830 - 71 ... - 176H1
SMD modules for switch module						
Mounting form module			K830			K830 - 71 ... - ED
Enclosure module, mounting form 176H1 H-padlock device black						PAK8 - 176H1
Dimensions (mm)						
Product line	H1	H2	B1	B2	T1	T2
K830	640	680	320	293	330	93
Switching programmes						
71300, 71311, 71322 71400	Changeover with OFF					

Enclosed Switches

sälzer



Product line
K830

Enclosed Switches

Mild steel enclosures
600 x 400 x 300 mm

With cover interlock
in ON position

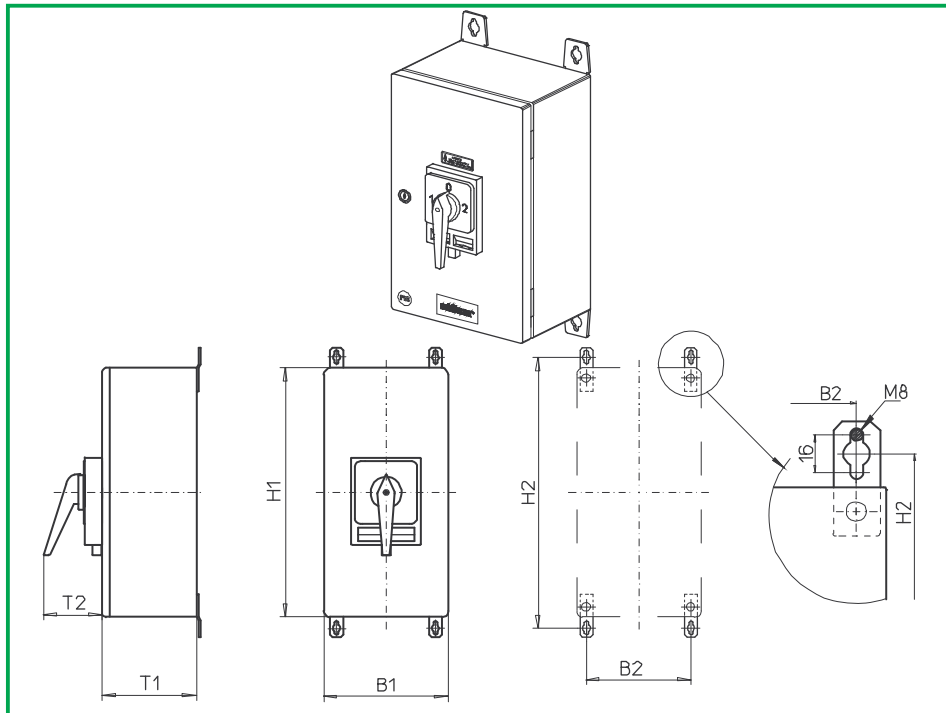
Cable entries
Blank gland plates

187H1 (IP66)
187H4 (IP66)

Complete Switch	Poles	Product lines	Rated Data (IEC 60947)			Order Code Number
			Operational current I _e	Operational power at 380–440V		
			AC-21A A	AC-23A kW	AC-3 kW	
Main Switches Switching angle 90° OFF position padlockable 09h	3 ... 8	K830	315	132	55	K830 - 41 ... - 187H1
Main/Emergency-Off Switches Switching angle 90° OFF position padlockable 09h	3 ... 8	K830	315	132	55	K830 - 41 ... - 187H4
SMD modules for switch module						
Mounting form module			K830			K830 - 41 ... - ED
Enclosure module, mounting form 187H1 H-padlock device black						SAK8 - 187H1
Enclosure module, mounting form 187H4 H-padlock device yellow/red						SAK8 - 187H4
Dimensions (mm)						
Product line	H1	H2	B1	B2	T1	T2
K830	600	645	400	360	300	93
Switching programmes						
41311, 41320, 41411, 41420 41600, 41611, 41620 41800	Main Switches and Main/Emergency-Off Switches					

Enclosed Switches

sälzer



**Product line
K830**

Enclosed Switches

Mild steel enclosures
600 x 400 x 300 mm

With cover interlock
in position 1 and 2

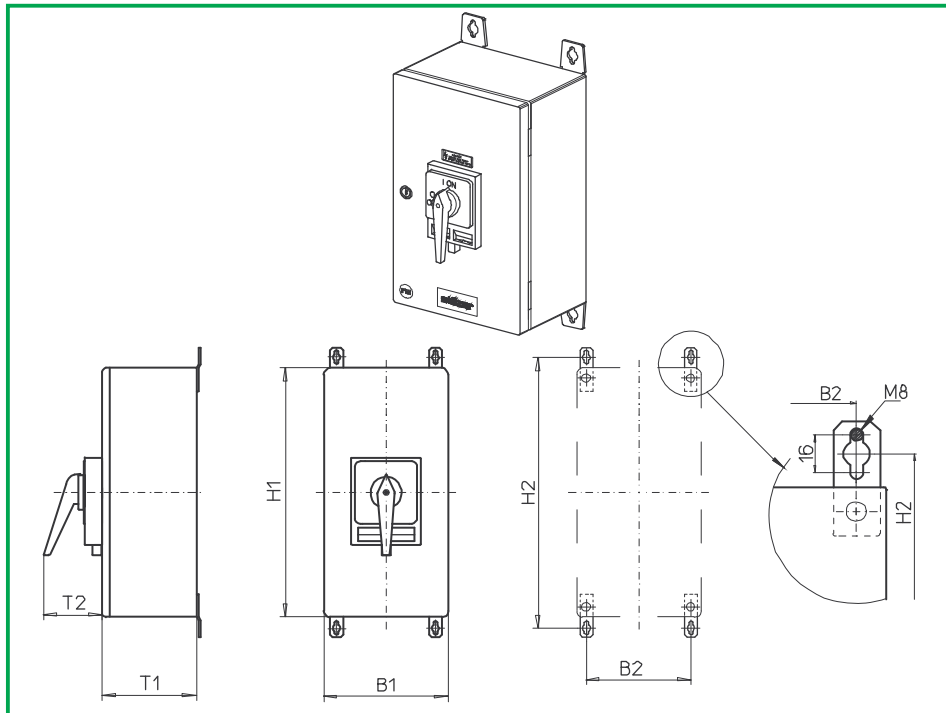
Cable entries
Blank gland plates

186H1(IP66)

Complete Switch	Poles	Product lines	Rated Data (IEC 60947)			Order Code Number
			Operational current I _e	Operational power at 380–440V		
			AC-21A A	AC-23A kW	AC-3 kW	
Changeover with OFF Switching angle 90° OFF position padlockable 12h	3 ... 4	K830	315	132	55	K830 - 71 ... - 186H1
SMD modules for switch module						
Mounting form module			K830			K830 - 71 ... - ED
Enclosure module, mounting form 186H1 H-padlock device black						SAK8 - 186H1
Dimensions (mm)						
Product line	H1	H2	B1	B2	T1	T2
K830	600	645	400	360	300	93
Switching programmes						
71300, 71311, 71322 71400	Changeover with OFF					

Enclosed Switches

sälzer



Product line
K830

Enclosed Switches

Mild steel enclosures
800 x 400 x 300 mm

With cover interlock
in ON position

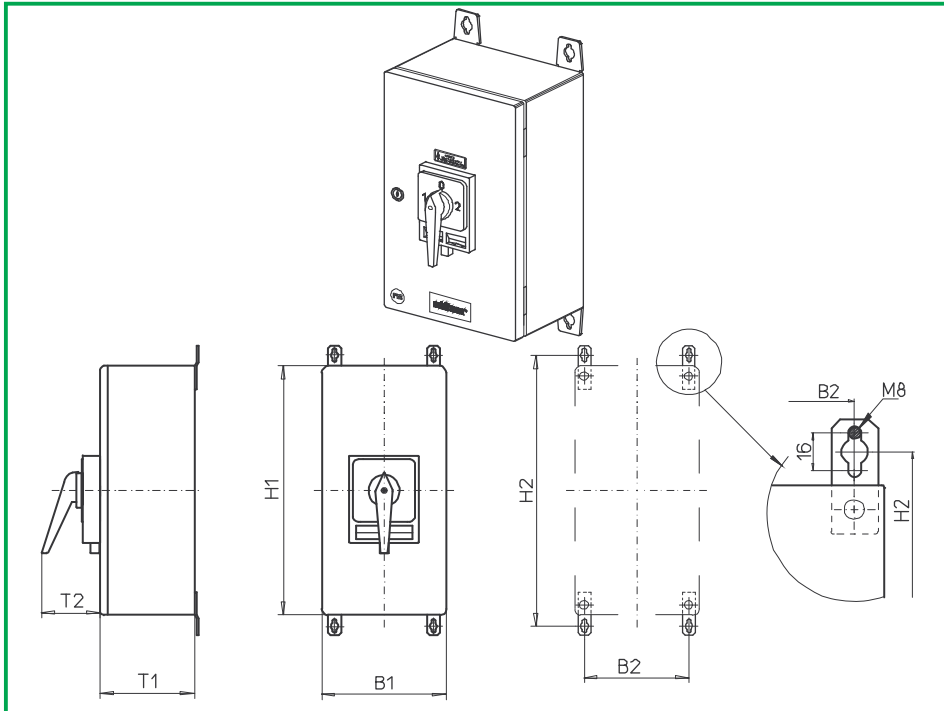
Cable entries
Blank gland plates

287H1 (IP66)
287H4 (IP66)

Complete Switch	Poles	Product lines	Rated Data (IEC 60947)			Order Code Number
			Operational current I _e	Operational power at 380–440V		
			AC-21A A	AC-23A kW	AC-3 kW	
Main Switches Switching angle 90° OFF position padlockable 09h	6 ... 8	K830	315	132	55	K830 - 41 ... - 287H1
Main/Emergency-Off Switches Switching angle 90° OFF position padlockable 09h	6 ... 8	K830	315	132	55	K830 - 41 ... - 287H4
SMD modules for switch module						
Mounting form module			K830			K830 - 41 ... - ED
Enclosure module, mounting form 287H1 H-padlock device black						SAK8 - 287H1
Enclosure module, mounting form 287H4 H-padlock device yellow/red						SAK8 - 287H4
Dimensions (mm)						
Product line	H1	H2	B1	B2	T1	T2
K830	800	845	400	360	300	93
Switching programmes						
41600, 41611, 41620 41800	Main Switches and Main/Emergency-Off Switches					

Enclosed Switches

sälzer



**Product line
K830**

Enclosed Switches

Mild steel enclosures
800 x 400 x 300 mm

With cover interlock
in position 1 and 2

Cable entries
Blank gland plates

286H1(IP66)

Complete Switch	Poles	Product lines	Rated Data (IEC 60947)			Order Code Number
			Operational current I _e	Operational power at 380–440V		
			AC-21A A	AC-23A kW	AC-3 kW	
Changeover with OFF Switching angle 90° OFF position padlockable 12h	3 ... 4	K830	315	132	55	K830 - 71 ... - 286H1
SMD modules for switch module						
Mounting form module			K830			K830 - 71 ... - ED
Enclosure module, mounting form 286H1 H-padlock device black						SAK8 - 286H1
Dimensions (mm)						
Product line	H1	H2	B1	B2	T1	T2
K830	800	845	400	360	300	93
Switching programmes						
71300, 71311, 71322 71400	Changeover with OFF					

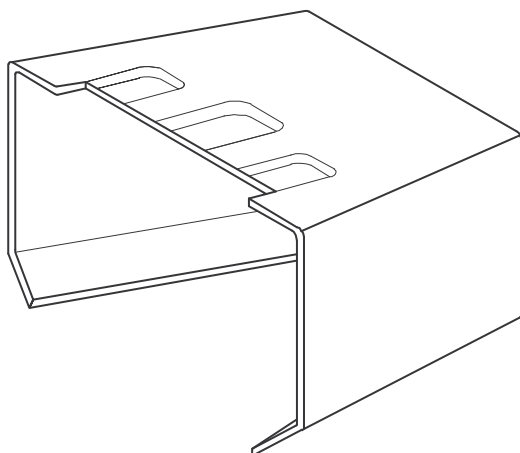


Section D

Page
from to

Covers D1-1 D1-1

Originator: Sälzer Electric GmbH · Product Data Management (PDM) · 09306 Rochlitz (Germany)
Copyright reserved by Sälzer Electric GmbH. This document replaces all previous issues.
Valid until a new version is published. Changes and revisions reserved.



**Product line
K830**

Terminal cover

for
Main/Emergency-Off
Switches or
Changeover Switches
with terminal lugs

(max. 2 stages)

Front/base mounting

TCA8

Terminal cover

Product line K830
Main/Emergency-Off Switches with terminal lugs
Changeover Switches with OFF and terminal lugs

Front/base mounting switches

Switching programmes	Poles	Number	Order code number
Main/Emergency-Off Switches with terminal lugs 41300	3 pole	2	TCA8
41400	4 pole	2	TCA8
Changeover Switches with OFF and terminal lugs 71300	3 pole	2	TCA8



Faster deliveries through SMD

In order to ensure even greater flexibility for worldwide supply availability within 24h, Sälzer Electric has introduced the SMD (Sälzer Modular Design) system.

SMD modules are individually prefabricated and tested all-in-one modules which SMD Service holds in stock in sufficient quantities. From basic switch modules, mounting form modules and operator modules, SMD Service can assemble a complete switch requested by the customer and pack it ready for delivery in just a few actions.

– **back** –



**INDUSTRIAL
SAFETY SALES INC.**

P.O. Box 126 -- 4112 Sheridan Road
Kenosha, WI 53141
Fax: (262) 652-1388
E-mail: safetysensing@earthlink.net

(262) 652-8660