

# FURTIF AMX / INOX

STAND-ALONE without safety module

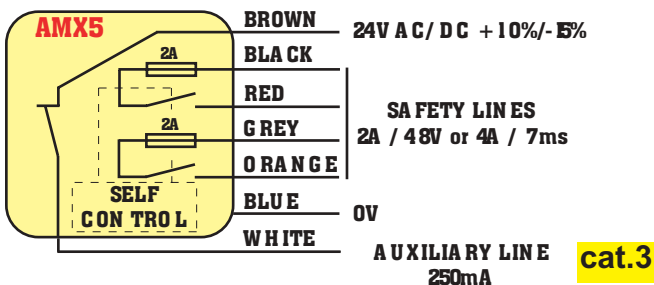
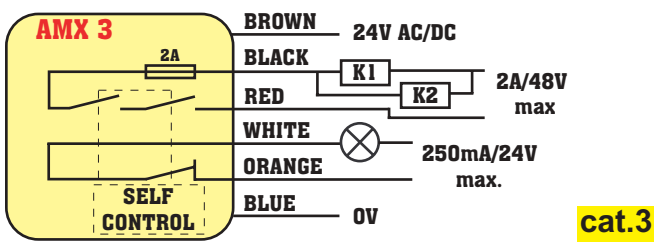
## NON-CONTACT AND CODED SAFETY SWITCH IN STAINLESS STEEL : CATEGORY 3 FOR HARD ENVIRONMENT

- Integrated self-checking
- Detection distance/hysteresis/misalignment : 10 /+2 /±7 (mm)
- LED indication of switch condition
- Mounting brackets and moulded cable
- Available with a M12 connector (AMX3/ AMX5)
- Stainless steel housing
- Available with connector
- Protection class IP67
- Temperature -20°C to +60°C

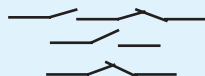
### SAFETY CATEGORY

AMX3 / AMX5 : category 3\* according to EN954-1  
 AMX5 : category 4\* with safety module  
 \*Regardless of number of switches in series

### WIRING DIAGRAM



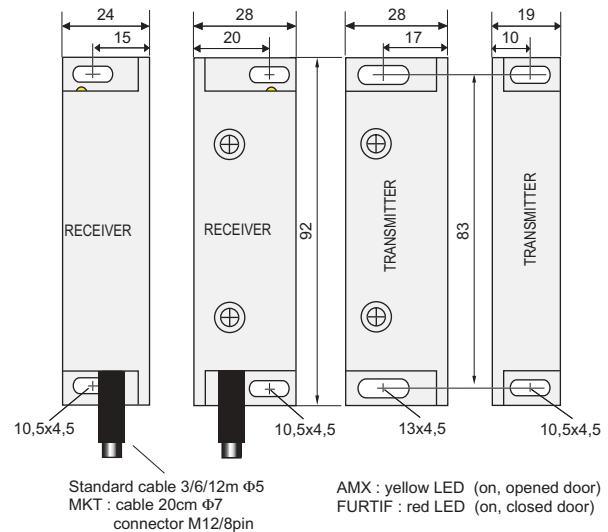
AMX 3 in case of failure  
 AMX 5 in case of failure



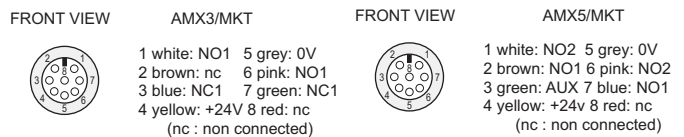
Our switches are equipped with a 2A fuse in order to guarantee electrical protection.



### DIMENSIONS



### PIN DETAILS



### APPLICATION

Control of the moving machine guards with a high tolerance of misalignment without using any safety module in the electronic board.



**INDUSTRIAL  
SAFETY CONTROLS INC.**

P.O. Box 126 -- 4112 Sheridan Road  
Kenosha, WI 53141

**(262) 652-8660 -- Fax: (262) 652-1388**

E-mail: [safetysensing@earthlink.net](mailto:safetysensing@earthlink.net)