

All-metal inductive proximity switches for the food industry



IP 68 & IP 69K

Features

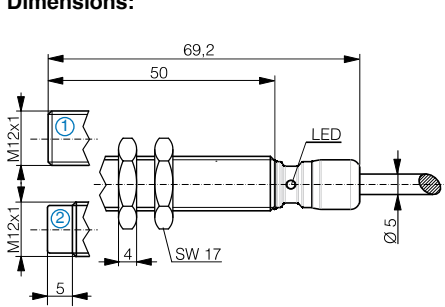
- High resistance to corrosion caused by cleansing and disinfecting agents, or organic acids
- Cable versions completely pressure-resistant to 1,150 psi (M12), 850 psi (M18), 600 psi (M30)
- Degree of protection IP 68 + IP 69K
- Long operating distances on steel, stainless steel and aluminum
- Indication of secured operating zone (LED on)
- Extremely rugged: one-piece housing (including sensing face) of food-safe stainless steel (V4A / AISI 316L / DIN 1.4435)
- Connection by means of food-safe TPE-S cable or S12 connector

Applications

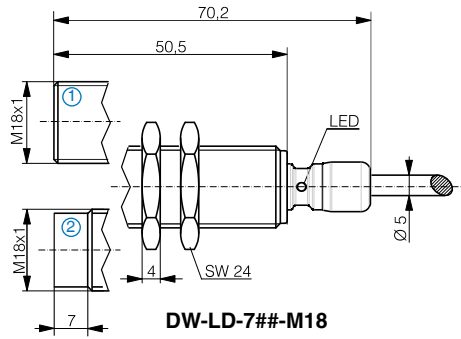
- Manufacture of dairy products
- Canning industry
- Beverage manufacture, breweries
- Slaughterhouses, meat processing
- Animal farming (feeding and free-range installations)
- Food processing machines

CONTRINEX

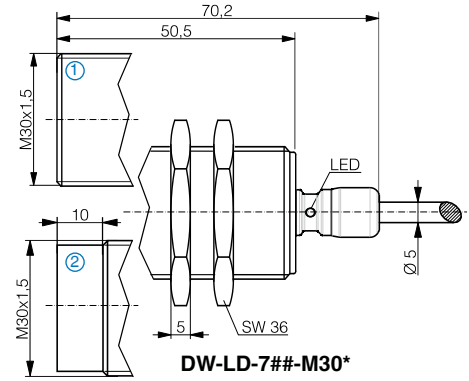
Dimensions:



DW-LD-7##-M12

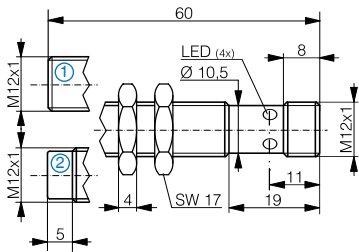


DW-LD-7##-M18

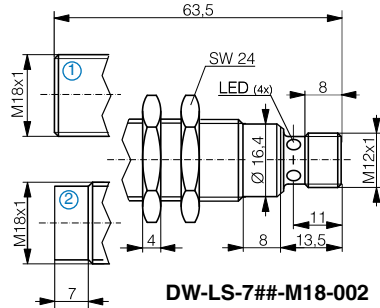


DW-LD-7##-M30*

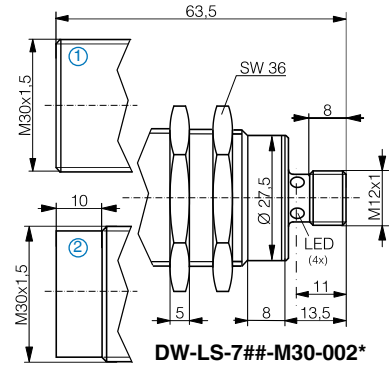
- ① embeddable
- ② non-embeddable



DW-LS-7##-M12



DW-LS-7##-M18-002



DW-LS-7##-M30-002*

* Please check availability

Correction factors (typical values for DW-LS-703-M18-002)

Steel FE 360	1.0	aluminum	1.0	copper	0.8	brass	1.2	stainless steel 1 mm / 2 mm thick	0.5 / 0.9
--------------	-----	----------	-----	--------	-----	-------	-----	-----------------------------------	-----------

Technical data:

(according to IEC 60947-5-2)

Rated operating distance s_n :

M12 embeddable / non-embeddable	6 mm / 10 mm
M18 embeddable / non-embeddable	10 mm / 20 mm
M30 embeddable / non-embeddable	20 mm / 40 mm

Hysteresis

≤ 15% s_r

Standard target

IEC 60947-5-2 / 8.3.2.1.1

Repeat accuracy

≤ 5% s_r ($U_B = 20 \dots 30$ VDC, $T_A = 23 \text{ °C} \pm 5 \text{ °C}$ (73.4 °F ± 9 °F))

Supply voltage range U_B

10 ... 30 VDC

Output current

200 mA max.

No-load supply current

10 mA max.

Switching frequency:

M12 embeddable / non-embeddable	0 ... 600 Hz / 0 ... 400 Hz
M18 embeddable / non-embeddable	0 ... 300 Hz / 0 ... 200 Hz
M30 embeddable / non-embeddable	0 ... 120 Hz / 0 ... 100 Hz

LED ($0 \leq s \leq 0.8 s_r$)

on

LED ($0.8 s_r < s \leq s_r$)

blinking

Ambient temperature range T_A

-25 ... +85 °C (-13 ... +185 °F)

Temperature drift of s_r

± 10% max.

Operating pressure:

M12	1,150 psi
M18	850 psi
M30	600 psi

Degree of protection

IP 68 + IP 69K

EMC protection:

IEC 60255-5	5 kV
IEC 61000-4-2	Level 4
IEC 61000-4-3	Level 3
IEC 61000-4-4	Level 3

Housing and sensing face material

stainless steel (V4A / DIN 1.4435 / AISI 316L)

Pin coating

gold

Connection cable (other lengths on request)

TPE-S 2 m; 3 x 0.34 mm² / 180 x 0.05 mm Ø

Connector

S12

Your sales





**INDUSTRIAL
SAFETY SALES INC.**

P.O. Box 126 -- 4112 Sheridan Road
Kenosha, WI 53141
Fax: (262) 652-1388
E-mail: safetysensing@earthlink.net

(262) 652-8660