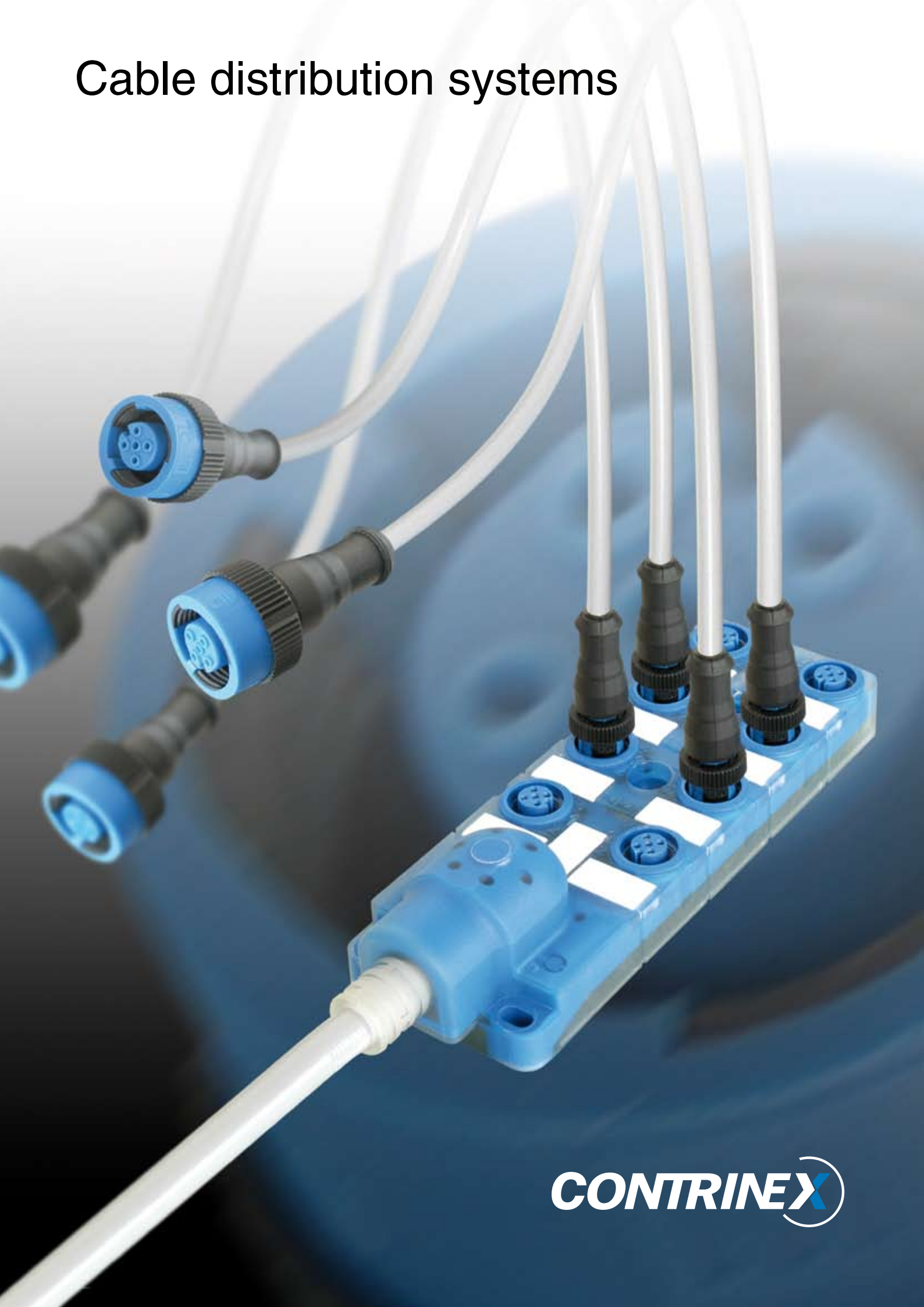


# Cable distribution systems





## Top-quality cable distribution systems

Passive distribution systems are an important part of any machine installation, as they replace costly connection cabinets and error-prone wiring. Contrinex distribution boxes are available either in synthetic or all-metal executions, and are designed for universal use. Distribution boxes are positioned close to the process, providing the connection between sensors and control units by means of cable connectors. Passive distribution boxes are particularly well suited for use in material handling and assembly, as well as test installations and robotics.

Supply voltage and signal status are indicated by LEDs, which helps to significantly reduce installation, start-up and service times and, thus, installation and maintenance costs.

All passive distribution boxes are pre-tested and ready for use. They are available either as complete solutions with fixed molded cable output, or as components, without cable. They offer connections for 4 to 10 S8 or S12 connectors.

The Contrinex cable distribution program is complemented by top-quality quick-lock cable connectors, as well as extremely rugged and sealed metal connectors.

## S8 distribution boxes

Contrinex S8 distribution boxes are only 30 mm wide, light and exceptionally compact. They can therefore be employed when space is limited or on moving machine parts. They are fully potted and, thanks to a new housing concept, provide various mounting options. The S8 range includes devices for the connection of 4, 6, 8 or 10 3-pole S8 connectors. They are available as complete solutions with fixed molded cable or as components with click-on hoods.

## S12 distribution boxes

The S12 product line includes devices for 4 or 8 connections, which are particularly suited for conveyor and assembly applications, test installations and robotics. The compact design and standard 3-hole fixing method allow for simplified mounting in limited spaces and in the presence of moving machine parts. A large choice of connection options ensures optimum connection to the control system.

### For tough environments

For particularly severe environments, Contrinex offers highly resistant and fully-potted metal S12 distribution boxes. Available either with fixed cable outlet or M23 connection, these devices can be installed in close proximity to processes. They are resistant to high temperatures, cooling and lubricating liquids, as well as cleaning agents. In addition, due to their improved imperviousness, they can be used in wet environments.

### Cable connectors

In order to ensure connection between the sensors and the distribution boxes, Contrinex now also offers cable connectors featuring a quick-lock system, which reduces installation time by



up to 80%. The quick connectors are fully compatible and interchangeable with conventional types and comply with degree of protection IP 67. They are available in straight and right-angle executions, with or without LED.

In addition, Contrinex also offers stainless-steel (V4A) connectors, which are well suited for tough environments, as well as for the food industry. These metal connectors are corrosion resistant and completely impervious (IP 68 and IP 69K). The cable distribution range also includes a large selection of accessories.

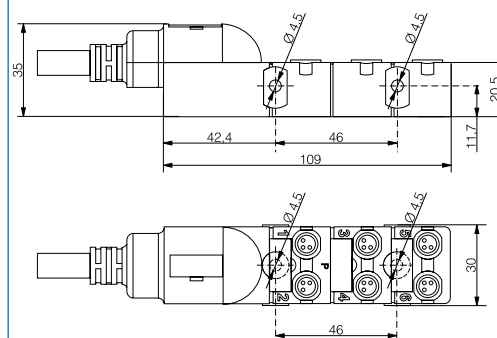
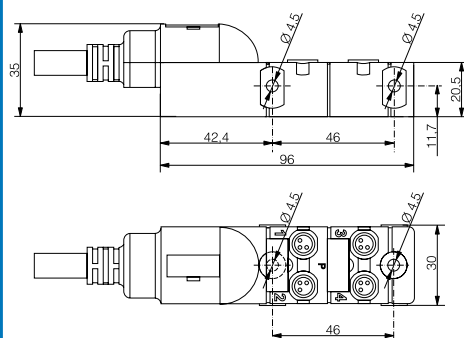
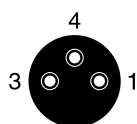


Number of connections	<b>4</b>	<b>6</b>
Housing material	TPU transparent, PA UL 94HB blue	TPU transparent, PA UL 94HB blue
Connection	PUR cable UL	PUR cable UL
Degree of protection	IP 65 / IP 67 (screwed down)	IP 65 / IP 67 (screwed down)
Connections	4 sockets S8 3-pole	6 sockets S8 3-pole
LED (supply voltage)	green	green
LED (output state)*	yellow	yellow
Supply voltage range	18 ... 30 VDC	18 ... 30 VDC
Ambient temperature range	-20 ... +60 °C	-20 ... +60 °C
Total current	≤ 10 A	≤ 10 A
Nominal current per contact	≤ 2 A	≤ 2 A
Impulse withstand voltage	800 V	800 V
Volume resistance per contact	≤ 5 mΩ	≤ 5 mΩ

### Pin assignment

Socket S8 3-pole:

- Pin 1: U<sub>B</sub>
- Pin 4: Output
- Pin 3: 0V



Distribution box with cable (2 m)	V08-34PD-020-UYN	V08-36PD-020-UYN
Distribution box with cable (5 m)	V08-34PD-050-UYN	V08-36PD-050-UYN
Distribution box with cable (10 m)	V08-34PD-100-UYN	V08-36PD-100-UYN

\* PNP only

# S8 distribution boxes

**8**

TPU transparent, PA UL 94HB blue

PUR cable UL

IP 65 / IP 67 (screwed down)

8 sockets S8 3-pole

green

yellow

18 ... 30 VDC

-20 ... +60 °C

≤ 10 A

≤ 2 A

800 V

≤ 5 mΩ

**10**

TPU transparent, PA UL 94HB blue

PUR cable UL

IP 65 / IP 67 (screwed down)

10 sockets S8 3-pole

green

yellow

18 ... 30 VDC

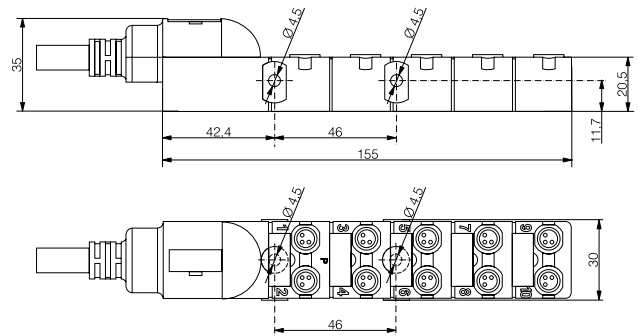
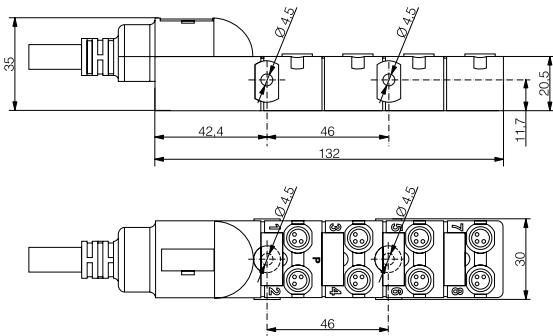
-20 ... +60 °C

≤ 10 A

≤ 2 A

800 V

≤ 5 mΩ



V08-38PD-020-UYN

V08-38PD-050-UYN

V08-38PD-100-UYN

V08-31PD-020-UYN

V08-31PD-050-UYN

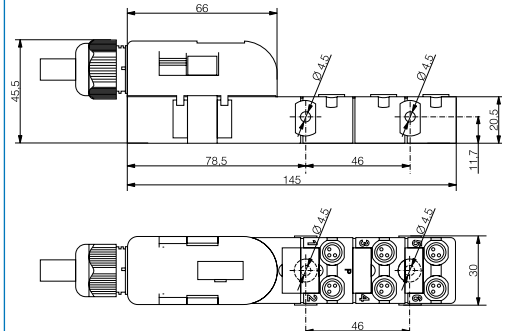
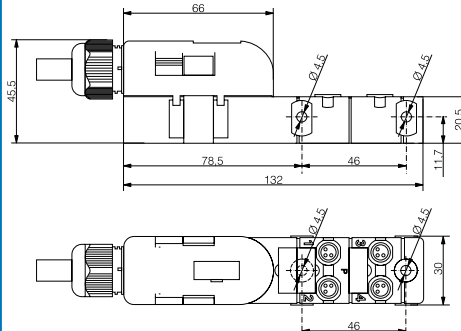
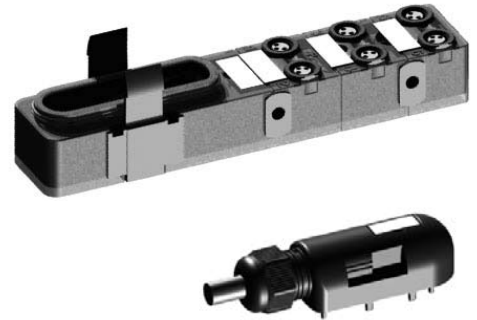
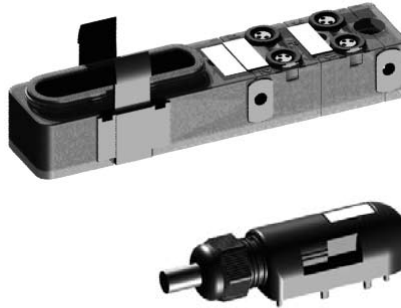
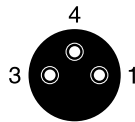
V08-31PD-100-UYN

Number of connections	<b>4</b>	<b>6</b>
Housing material	TPU transparent, PA UL 94HB blue	TPU transparent, PA UL 94HB blue
Connection	PUR cable UL (if applicable)	PUR cable UL (if applicable)
Degree of protection	IP 65 / IP 67 (screwed down)	IP 65 / IP 67 (screwed down)
Connections	4 sockets S8 3-pole	6 sockets S8 3-pole
LED (supply voltage)	green	green
LED (output state)*	yellow	yellow
Supply voltage range	18 ... 30 VDC	18 ... 30 VDC
Ambient temperature range	-20 ... +60 °C	-20 ... +60 °C
Total current	≤ 8 A	≤ 8 A
Nominal current per contact	≤ 2 A	≤ 2 A
Impulse withstand voltage	800 V	800 V
Volume resistance per contact	≤ 5 mΩ	≤ 5 mΩ

### Pin assignment

Socket S8 3-pole:

- Pin 1: U<sub>B</sub>
- Pin 4: Output
- Pin 3: 0V



Base element without hood	V08-34PB-000-NYN	V08-36PB-000-NYN
Hood without cable	V08-30PE-000-NNN	V08-30PE-000-NNN
Hood with cable (2 m)	V08-34PH-020-UNN	V08-36PH-020-UNN
Hood with cable (5 m)	V08-34PH-050-UNN	V08-36PH-050-UNN
Hood with cable (10 m)	V08-34PH-100-UNN	V08-36PH-100-UNN
Base element + hood with cable (2 m)	V08-34PY-020-UYN	V08-36PY-020-UYN
Base element + hood with cable (5 m)	V08-34PY-050-UYN	V08-36PY-050-UYN
Base element + hood with cable (10 m)	V08-34PY-100-UYN	V08-36PY-100-UYN

\* PNP only

# S8 distribution boxes

**8**

TPU transparent, PA UL 94HB blue

PUR cable UL (if applicable)

IP 65 / IP 67 (screwed down)

8 sockets S8 3-pole

green

yellow

18 ... 30 VDC

-20 ... +60 °C

≤ 8 A

≤ 2 A

800 V

≤ 5 mΩ

**10**

TPU transparent, PA UL 94HB blue

PUR cable UL (if applicable)

IP 65 / IP 67 (screwed down)

10 sockets S8 3-pole

green

yellow

18 ... 30 VDC

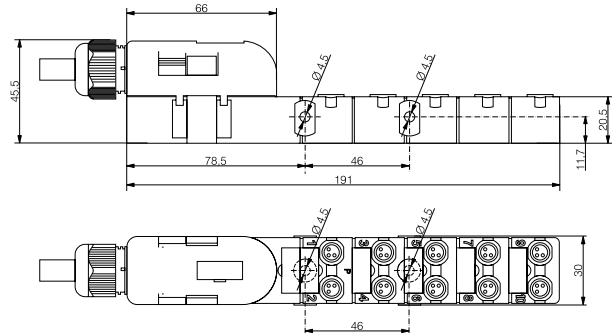
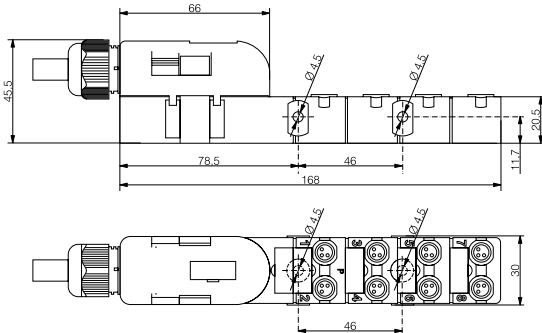
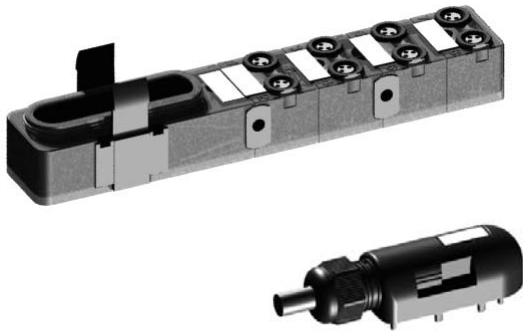
-20 ... +60 °C

≤ 8 A

≤ 2 A

800 V

≤ 5 mΩ



V08-38PB-000-NYN

V08-30PE-000-NNN

V08-38PH-020-UNN

V08-38PH-050-UNN

V08-38PH-100-UNN

V08-38PY-020-UYN

V08-38PY-050-UYN

V08-38PY-100-UYN

V08-31PB-000-NYN

V08-30PE-000-NNN

V08-31PH-020-UNN

V08-31PH-050-UNN

V08-31PH-100-UNN

V08-31PY-020-UYN

V08-31PY-050-UYN

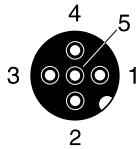
V08-31PY-100-UYN

Number of connections	<b>4</b>	<b>8</b>
Housing material	TPU transparent, PA UL 94HB blue	TPU transparent, PA UL 94HB blue
Connection	PUR cable UL	PUR cable UL
Degree of protection	IP 65 / IP 67 (screwed down)	IP 65 / IP 67 (screwed down)
Connections	4 sockets S12 5-pole	8 sockets S12 5-pole
LED (supply voltage)	green	green
LED (output state)*	yellow	yellow
Supply voltage range	18 ... 30 VDC	18 ... 30 VDC
Ambient temperature range	-20 ... +60 °C	-20 ... +60 °C
Total current	≤ 10 A	≤ 10 A
Nominal current per contact	≤ 4 A	≤ 4 A
Impulse withstand voltage	800 V	800 V
Volume resistance per contact	≤ 5 mΩ	≤ 5 mΩ

### Pin assignment

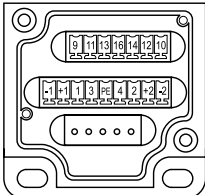
Socket S12 5-pole:

- Pin 1: U<sub>B</sub>
- Pin 2: Output 2, N.C.
- Pin 3: 0V
- Pin 4: Output 1, N.O.
- Pin 5: PE

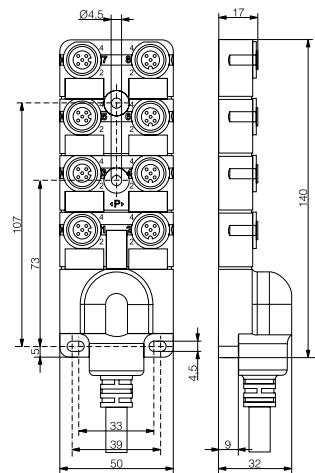
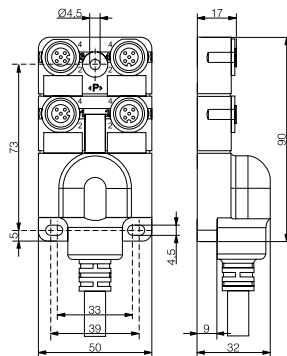
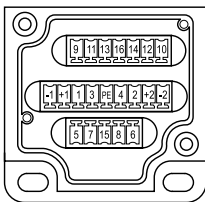


Connection terminals (models with click-on hood):

4 connections



8 connections



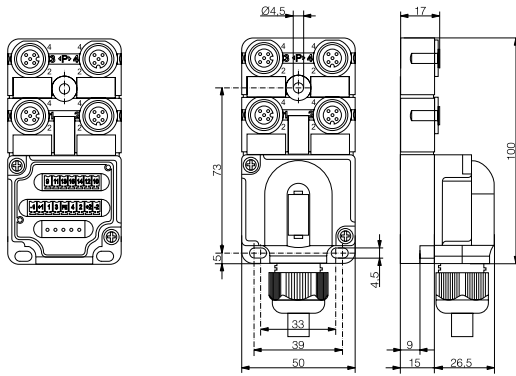
Distribution box with cable (2 m)	V12-54PD-020-UYN	V12-58PD-020-UYN
Distribution box with cable (5 m)	V12-54PD-050-UYN	V12-58PD-050-UYN
Distribution box with cable (10 m)	V12-54PD-100-UYN	V12-58PD-100-UYN
Base element without hood		
Hood without cable		
Hood with cable (2 m)		
Hood with cable (5 m)		
Hood with cable (10 m)		
Base element + hood with cable (2 m)		
Base element + hood with cable (5 m)		
Base element + hood with cable (10 m)		

\* PNP only

# S12 distribution boxes

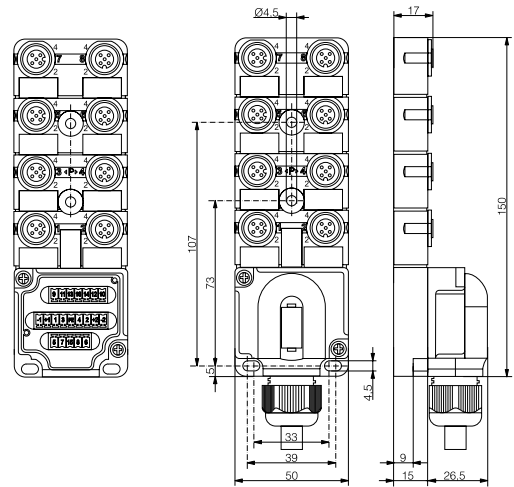
**4**

TPU transparent, PA UL 94HB blue  
 PUR cable UL (if applicable)  
 IP 65 / IP 67 (screwed down)  
 4 sockets S12 5-pole  
 green  
 yellow  
 18 ... 30 VDC  
 -20 ... +60 °C  
 $2 \times \leq 8 \text{ A}$   
 $\leq 4 \text{ A}$   
 800 V  
 $\leq 5 \text{ m}\Omega$



**8**

TPU transparent, PA UL 94HB blue  
 PUR cable UL (if applicable)  
 IP 65 / IP 67 (screwed down)  
 8 sockets S12 5-pole  
 green  
 yellow  
 18 ... 30 VDC  
 -20 ... +60 °C  
 $2 \times \leq 8 \text{ A}$   
 $\leq 4 \text{ A}$   
 800 V  
 $\leq 5 \text{ m}\Omega$



V12-54PB-000-NYN  
 V12-50PE-000-NNN  
 V12-54PH-020-UNN  
 V12-54PH-050-UNN  
 V12-54PH-100-UNN  
 V12-54PY-020-UYN  
 V12-54PY-050-UYN  
 V12-54PY-100-UYN

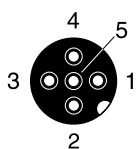
V12-58PB-000-NYN  
 V12-50PE-000-NNN  
 V12-58PH-020-UNN  
 V12-58PH-050-UNN  
 V12-58PH-100-UNN  
 V12-58PY-020-UYN  
 V12-58PY-050-UYN  
 V12-58PY-100-UYN

Number of connections	<b>4</b>	<b>8</b>
Housing material	nickel-plated die cast zinc	nickel-plated die cast zinc
Connection	PUR cable UL/CSA, halogen free	PUR cable UL/CSA, halogen free
Degree of protection	IP 65 / IP 67 (screwed down)	IP 65 / IP 67 (screwed down)
Connections	4 sockets S12 5-pole	8 sockets S12 5-pole
LED (supply voltage)	green	green
LED (output state)*	yellow	yellow
Supply voltage range	18 ... 30 VDC	18 ... 30 VDC
Ambient temperature range	-25 ... +90 °C	-25 ... +90 °C
Total current	≤ 13 A	≤ 13 A
Nominal current per contact	≤ 4 A	≤ 4 A
Impulse withstand voltage	800 V	800 V
Volume resistance per contact	≤ 5 mΩ	≤ 5 mΩ

### Pin assignment

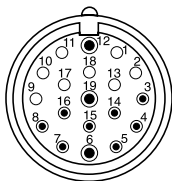
Socket S12 5-pole:

- Pin 1:  $U_B$
- Pin 2: Output 2, N.C.
- Pin 3: 0V
- Pin 4: Output 1, N.O.
- Pin 5: PE



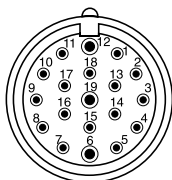
Plug S23 11-pole:

- Pin 19:  $U_B$
- Pin 6: 0V
- Pin 12: PE
- Pins 7, 15: socket 1
- Pins 4, 5: socket 2
- Pins 8, 16: socket 3
- Pins 14, 3: socket 4

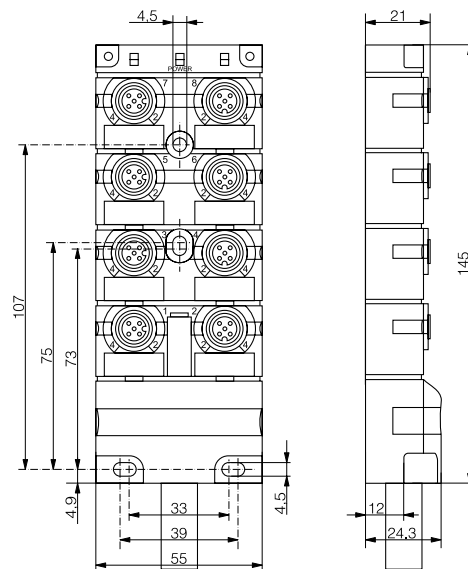
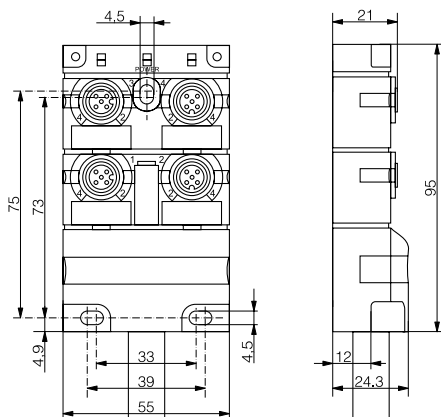


Plug S23 19-pole (additional pins):

- Pins 9, 17: socket 5
- Pins 13, 2: socket 6
- Pins 10, 11: socket 7
- Pins 18, 1: socket 8



Suitable cable connectors p. 15



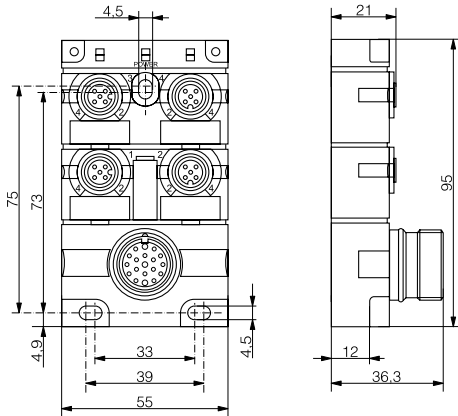
Distribution box with cable (2 m)	V12-54MD-020-UYN	V12-58MD-020-UYN
Distribution box with cable (5 m)	V12-54MD-050-UYN	V12-58MD-050-UYN
Distribution box with cable (10 m)	V12-54MD-100-UYN	V12-58MD-100-UYN
Distribution box with S23 connection		

\* PNP only

# S12 metal distribution boxes

**4**

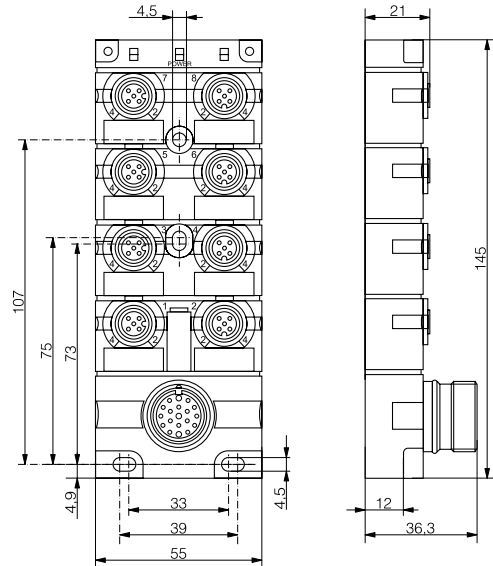
nickel-plated die cast zinc  
 S23 connector 11-pole  
 IP 65 / IP 67 (screwed down)  
 4 sockets S12 5-pole  
 green  
 yellow  
 18 ... 30 VDC  
 -25 ... +90 °C  
 ≤ 12 A  
 ≤ 4 A  
 800 V  
 ≤ 5 mΩ



V12-54MG-023-NYN

**8**

nickel-plated die cast zinc  
 S23 connector 19-pole  
 IP 65 / IP 67 (screwed down)  
 8 sockets S12 5-pole  
 green  
 yellow  
 18 ... 30 VDC  
 -25 ... +90 °C  
 ≤ 12 A  
 ≤ 4 A  
 800 V  
 ≤ 5 mΩ



V12-58MG-023-NYN



Type	Cable	Degree of protection	Size	Poles	Length	Part reference
Socket, straight / open	PVC	IP67	S12	4	2 m	S12-4FVG-020-NNNQ
Socket, straight / open	PUR	IP67	S12	4	2 m	S12-4FUG-020-NNNQ
Socket, straight / open	PVC	IP67	S12	4	5 m	S12-4FVG-050-NNNQ
Socket, straight / open	PUR	IP67	S12	4	5 m	S12-4FUG-050-NNNQ
Socket, straight / open	PVC	IP67	S12	4	10 m	S12-4FVG-100-NNNQ
Socket, straight / open	PUR	IP67	S12	4	10 m	S12-4FUG-100-NNNQ



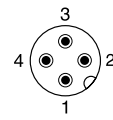
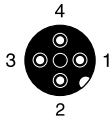
Type	Cable	Degree of protection	Size	Poles	Length	Part reference
Socket, right angle / open	PVC	IP67	S12	4	2 m	S12-4FVW-020-NNNQ
Socket, right angle / open	PUR	IP67	S12	4	2 m	S12-4FUW-020-NNNQ
Socket, right angle / open	PVC	IP67	S12	4	5 m	S12-4FVW-050-NNNQ
Socket, right angle / open	PUR	IP67	S12	4	5 m	S12-4FUW-050-NNNQ
Socket, right angle / open	PVC	IP67	S12	4	10 m	S12-4FVW-100-NNNQ
Socket, right angle / open	PUR	IP67	S12	4	10 m	S12-4FUW-100-NNNQ



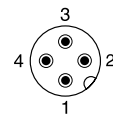
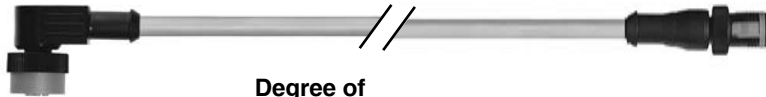
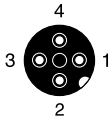
Type	Cable	Degree of protection	Size	Poles	Length	Part reference
Socket, right angle, LED* / open	PVC	IP67	S12	4	2 m	S12-4FVW-020-YNNQ
Socket, right angle, LED* / open	PUR	IP67	S12	4	2 m	S12-4FUW-020-YNNQ
Socket, right angle, LED* / open	PVC	IP67	S12	4	5 m	S12-4FVW-050-YNNQ
Socket, right angle, LED* / open	PUR	IP67	S12	4	5 m	S12-4FUW-050-YNNQ
Socket, right angle, LED* / open	PVC	IP67	S12	4	10 m	S12-4FVW-100-YNNQ
Socket, right angle, LED* / open	PUR	IP67	S12	4	10 m	S12-4FUW-100-YNNQ

\* PNP only

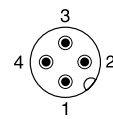
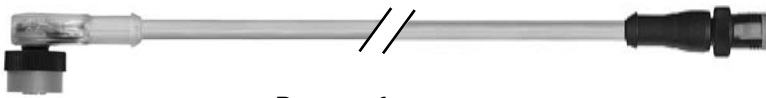
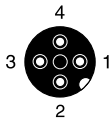
# Quick-lock cable connectors



Type	Cable	Degree of protection	Size	Poles	Length	Part reference
Socket, straight / Plug, straight	PVC	IP67	S12	4	0.3 m	S12-4FVG-003-NNNQ-12MG
Socket, straight / Plug, straight	PUR	IP67	S12	4	0.3 m	S12-4FUG-003-NNNQ-12MG
Socket, straight / Plug, straight	PVC	IP67	S12	4	0.6 m	S12-4FVG-006-NNNQ-12MG
Socket, straight / Plug, straight	PUR	IP67	S12	4	0.6 m	S12-4FUG-006-NNNQ-12MG
Socket, straight / Plug, straight	PVC	IP67	S12	4	1 m	S12-4FVG-010-NNNQ-12MG
Socket, straight / Plug, straight	PUR	IP67	S12	4	1 m	S12-4FUG-010-NNNQ-12MG
Socket, straight / Plug, straight	PVC	IP67	S12	4	1.5 m	S12-4FVG-015-NNNQ-12MG
Socket, straight / Plug, straight	PUR	IP67	S12	4	1.5 m	S12-4FUG-015-NNNQ-12MG
Socket, straight / Plug, straight	PVC	IP67	S12	4	2 m	S12-4FVG-020-NNNQ-12MG
Socket, straight / Plug, straight	PUR	IP67	S12	4	2 m	S12-4FUG-020-NNNQ-12MG



Type	Cable	Degree of protection	Size	Poles	Length	Part reference
Socket, right angle / Plug, straight	PVC	IP67	S12	4	0.3 m	S12-4FVW-003-NNNQ-12MG
Socket, right angle / Plug, straight	PUR	IP67	S12	4	0.3 m	S12-4FUW-003-NNNQ-12MG
Socket, right angle / Plug, straight	PVC	IP67	S12	4	0.6 m	S12-4FVW-006-NNNQ-12MG
Socket, right angle / Plug, straight	PUR	IP67	S12	4	0.6 m	S12-4FUW-006-NNNQ-12MG
Socket, right angle / Plug, straight	PVC	IP67	S12	4	1 m	S12-4FVW-010-NNNQ-12MG
Socket, right angle / Plug, straight	PUR	IP67	S12	4	1 m	S12-4FUW-010-NNNQ-12MG
Socket, right angle / Plug, straight	PVC	IP67	S12	4	1.5 m	S12-4FVW-015-NNNQ-12MG
Socket, right angle / Plug, straight	PUR	IP67	S12	4	1.5 m	S12-4FUW-015-NNNQ-12MG
Socket, right angle / Plug, straight	PVC	IP67	S12	4	2 m	S12-4FVW-020-NNNQ-12MG
Socket, right angle / Plug, straight	PUR	IP67	S12	4	2 m	S12-4FUW-020-NNNQ-12MG

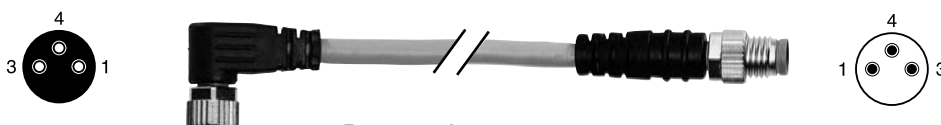


Type	Cable	Degree of protection	Size	Poles	Length	Part reference
Socket, right angle, LED* / Plug, straight	PVC	IP67	S12	4	0.3 m	S12-4FVW-003-YNNQ-12MG
Socket, right angle, LED* / Plug, straight	PUR	IP67	S12	4	0.3 m	S12-4FUW-003-YNNQ-12MG
Socket, right angle, LED* / Plug, straight	PVC	IP67	S12	4	0.6 m	S12-4FVW-006-YNNQ-12MG
Socket, right angle, LED* / Plug, straight	PUR	IP67	S12	4	0.6 m	S12-4FUW-006-YNNQ-12MG
Socket, right angle, LED* / Plug, straight	PVC	IP67	S12	4	1 m	S12-4FVW-010-YNNQ-12MG
Socket, right angle, LED* / Plug, straight	PUR	IP67	S12	4	1 m	S12-4FUW-010-YNNQ-12MG
Socket, right angle, LED* / Plug, straight	PVC	IP67	S12	4	1.5 m	S12-4FVW-015-YNNQ-12MG
Socket, right angle, LED* / Plug, straight	PUR	IP67	S12	4	1.5 m	S12-4FUW-015-YNNQ-12MG
Socket, right angle, LED* / Plug, straight	PVC	IP67	S12	4	2 m	S12-4FVW-020-YNNQ-12MG
Socket, right angle, LED* / Plug, straight	PUR	IP67	S12	4	2 m	S12-4FUW-020-YNNQ-12MG

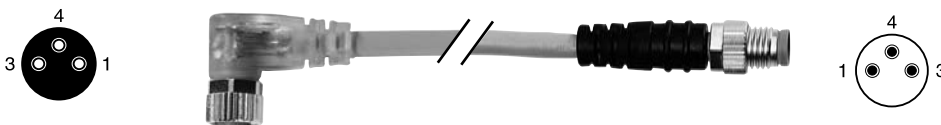
\* PNP only



Type	Cable	Degree of protection	Size	Poles	Length	Part reference
Socket, straight / Plug, straight	PUR	IP67	S8	3	0.3 m	S08-3FUG-003-08MG
Socket, straight / Plug, straight	PUR	IP67	S8	3	0.6 m	S08-3FUG-006-08MG
Socket, straight / Plug, straight	PUR	IP67	S8	3	1 m	S08-3FUG-010-08MG
Socket, straight / Plug, straight	PUR	IP67	S8	3	1.5 m	S08-3FUG-015-08MG
Socket, straight / Plug, straight	PUR	IP67	S8	3	2 m	S08-3FUG-020-08MG



Type	Cable	Degree of protection	Size	Poles	Length	Part reference
Socket, right angle / Plug, straight	PUR	IP67	S8	3	0.3 m	S08-3FUW-003-08MG
Socket, right angle / Plug, straight	PUR	IP67	S8	3	0.6 m	S08-3FUW-006-08MG
Socket, right angle / Plug, straight	PUR	IP67	S8	3	1 m	S08-3FUW-010-08MG
Socket, right angle / Plug, straight	PUR	IP67	S8	3	1.5 m	S08-3FUW-015-08MG
Socket, right angle / Plug, straight	PUR	IP67	S8	3	2 m	S08-3FUW-020-08MG



Type	Cable	Degree of protection	Size	Poles	Length	Part reference
Socket, right angle, LED* / Plug, straight	PUR	IP67	S8	3	0.3 m	S08-3FUW-003-YNNN-08MG
Socket, right angle, LED* / Plug, straight	PUR	IP67	S8	3	0.6 m	S08-3FUW-006-YNNN-08MG
Socket, right angle, LED* / Plug, straight	PUR	IP67	S8	3	1 m	S08-3FUW-010-YNNN-08MG
Socket, right angle, LED* / Plug, straight	PUR	IP67	S8	3	1.5 m	S08-3FUW-015-YNNN-08MG
Socket, right angle, LED* / Plug, straight	PUR	IP67	S8	3	2 m	S08-3FUW-020-YNNN-08MG

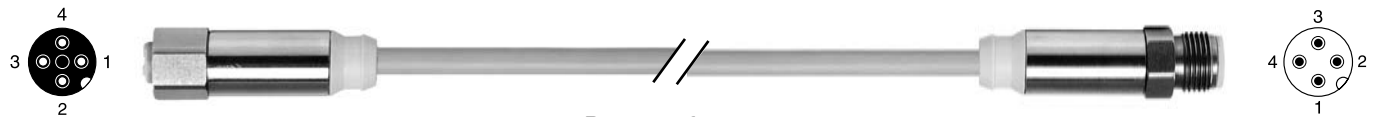
\* PNP only

# Metal connectors (V4A) & S23 connection cables

## Metal cable connectors



Type	Cable	Degree of protection	Size	Poles	Length	Part reference
Socket, straight / open	PVC	IP68 / IP69K	S12	4	2 m	S12-4FVG-020-NNLN
Socket, straight / open	TPE-S	IP68 / IP69K	S12	4	2 m	S12-4FAG-020-NNLN
Socket, straight / open	PVC	IP68 / IP69K	S12	4	5 m	S12-4FVG-050-NNLN
Socket, straight / open	TPE-S	IP68 / IP69K	S12	4	5 m	S12-4FAG-050-NNLN
Socket, straight / open	PVC	IP68 / IP69K	S12	4	10 m	S12-4FVG-100-NNLN
Socket, straight / open	TPE-S	IP68 / IP69K	S12	4	10 m	S12-4FAG-100-NNLN











Type	Cable	Degree of protection	Size	Poles	Length	Part reference
Socket, straight / Plug, straight	PVC	IP68 / IP69K	S12	4	2 m	S12-4FVG-020-NNLN-12MG
Socket, straight / Plug, straight	TPE-S	IP68 / IP69K	S12	4	2 m	S12-4FAG-020-NNLN-12MG
Socket, straight / Plug, straight	PVC	IP68 / IP69K	S12	4	5 m	S12-4FVG-050-NNLN-12MG
Socket, straight / Plug, straight	TPE-S	IP68 / IP69K	S12	4	5 m	S12-4FAG-050-NNLN-12MG
Socket, straight / Plug, straight	PVC	IP68 / IP69K	S12	4	10 m	S12-4FVG-100-NNLN-12MG
Socket, straight / Plug, straight	TPE-S	IP68 / IP69K	S12	4	10 m	S12-4FAG-100-NNLN-12MG

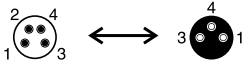
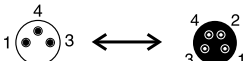
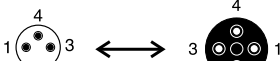
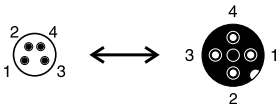
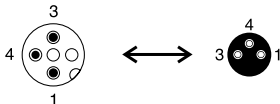
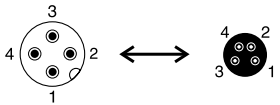
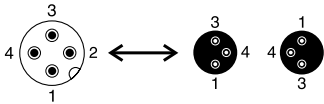
## S23 connection cable



Type	Cable	Degree of protection	Size	Poles	Length	Part reference
Socket for 4-way distributor, straight / open	PUR UL/CSA, halogen free	IP67	S23	11	2 m	S23-BFUG-020
Socket for 4-way distributor, straight / open	PUR UL/CSA, halogen free	IP67	S23	11	5 m	S23-BFUG-050
Socket for 4-way distributor, straight / open	PUR UL/CSA, halogen free	IP67	S23	11	10 m	S23-BFUG-100
Socket for 8-way distributor, straight / open	PUR UL/CSA, halogen free	IP67	S23	19	2 m	S23-JFUG-020
Socket for 8-way distributor, straight / open	PUR UL/CSA, halogen free	IP67	S23	19	5 m	S23-JFUG-050
Socket for 8-way distributor, straight / open	PUR UL/CSA, halogen free	IP67	S23	19	10 m	S23-JFUG-100

Type	Size	Poles	Assignment	Cable Ø	Part reference	
Plug, straight	S8	3		4.0 - 5.1 mm	S08-3MNG-000-NNT1	
Socket, straight	S8	3		4.0 - 5.1 mm	S08-3FNG-000-NNT1	
Plug, straight	S8	3		3.2 - 5.4 mm	S08-3MNG-000-NNT2	
Socket, straight	S8	3		3.2 - 5.4 mm	S08-3FNG-000-NNT2	
Plug, straight	S12	3	Pin 1,3,4	4.0 - 5.1 mm	S12-3MNG-000-NNT1	
Plug, straight	S12	4	Pin 1,2,3,4	4.0 - 5.1 mm	S12-4MNG-000-NNT1	
Socket, straight	S12	3	Pin 1,3,4	4.0 - 5.1 mm	S12-3FNG-000-NNT1	
Socket, straight	S12	4	Pin 1,2,3,4	4.0 - 5.1 mm	S12-4FNG-000-NNT1	
Plug, straight	S12	4	Pin 1,2,3,4	2.9 - 5.1 mm	S12-4MNG-000-NNT2	
Socket, straight	S12	4	Pin 1,2,3,4	2.9 - 5.1 mm	S12-4FNG-000-NNT2	
Plug, right angle	S12	3	Pin 1,3,4	4.0 - 5.1 mm	S12-3MNW-000-NNT1	
Plug, right angle	S12	4	Pin 1,2,3,4	4.0 - 5.1 mm	S12-4MNW-000-NNT1	
Socket, right angle	S12	3	Pin 1,3,4	4.0 - 5.1 mm	S12-3FNW-000-NNT1	
Socket, right angle	S12	4	Pin 1,2,3,4	4.0 - 5.1 mm	S12-4FNW-000-NNT1	
Plug, straight	S12	3	Pin 1,3,4	5.5 - 8.0 mm	S12-3MNG-000-NNT3	
Plug, straight	S12	3	Pin 3,4,5	5.5 - 8.0 mm	S12-3MNG-000-NNT3-070	
Plug, straight	S12	4	Pin 1,2,3,4	5.5 - 8.0 mm	S12-4MNG-000-NNT3	
Socket, straight	S12	3	Pin 1,3,4	5.5 - 8.0 mm	S12-3FNG-000-NNT3	
Socket, straight	S12	3	Pin 3,4,5	5.5 - 8.0 mm	S12-3FNG-000-NNT3-070	
Socket, straight	S12	4	Pin 1,2,3,4	5.5 - 8.0 mm	S12-4FNG-000-NNT3	

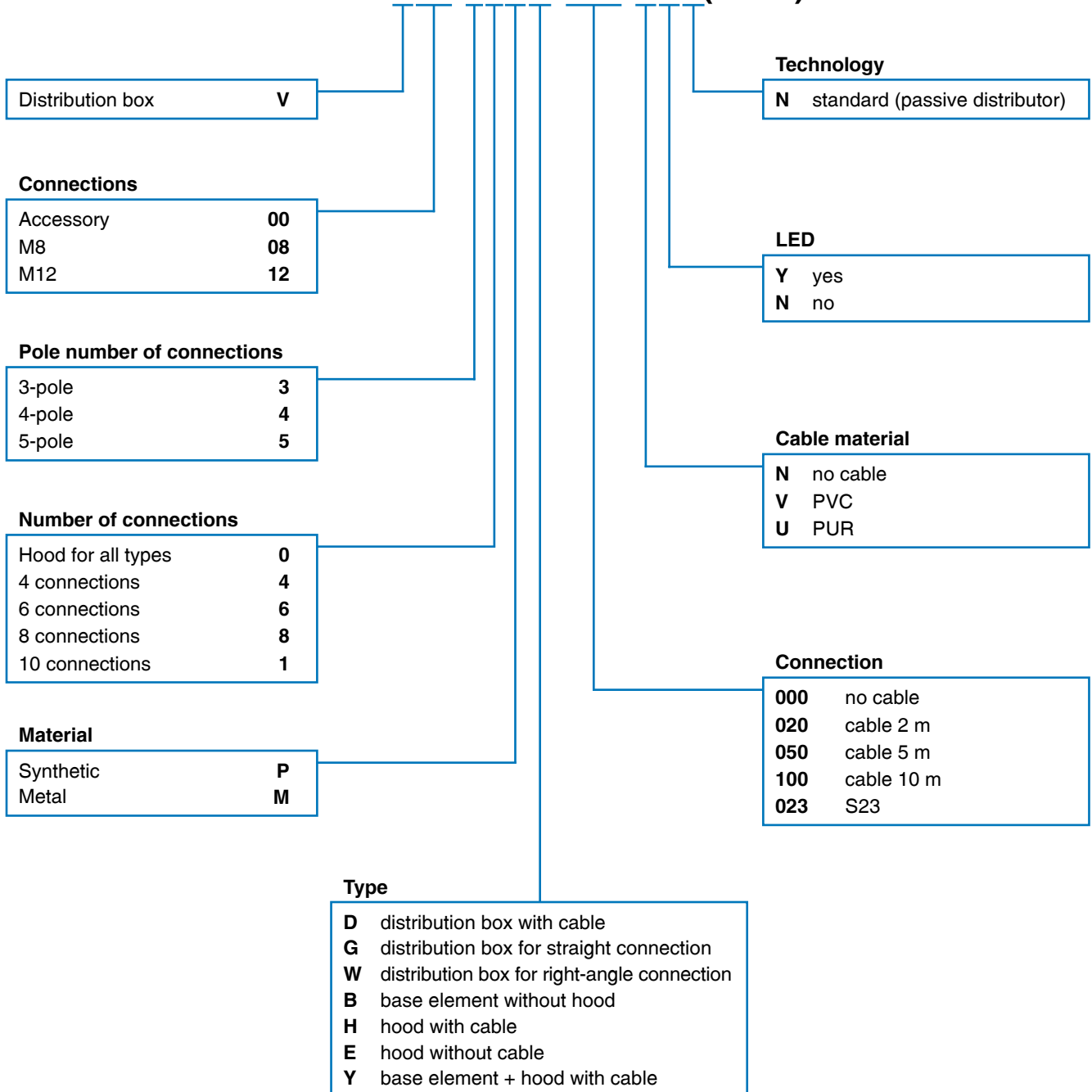
# Accessories

Type			Part reference	
Protection cap for free sockets S8, synthetic (10 pcs)			ASK-0000-001	
Protection cap for free sockets S12, synthetic (10 pcs)			ASK-0000-003	
Protection cap for free sockets S12, metal (10 pcs)			ASK-0000-004	
Adaptor	Plug S8 4-pole →	Socket S8 3-pole	ADA-0000-001	
Adaptor	Plug S8 3-pole →	Socket S8 4-pole	ADA-0000-002	
Adaptor	Plug S8 3-pole →	Socket S12 3-pole	ADA-0000-003	
Adaptor	Plug S8 4-pole →	Socket S12 4-pole	ADA-0000-004	
Adaptor	Plug S12 3-pole →	Socket S8 3-pole	ADA-0000-005	
Adaptor	Plug S12 4-pole →	Socket S8 4-pole	ADA-0000-006	
Adaptor	Plug S12 4-pole →	2 x Socket S8 3-pole	ADA-0000-007	
Label plates for S8 distribution box (10 pcs)			AET-0000-001	
Label plates for S12 distribution box (12 pcs)			AET-0000-002	

## Part references

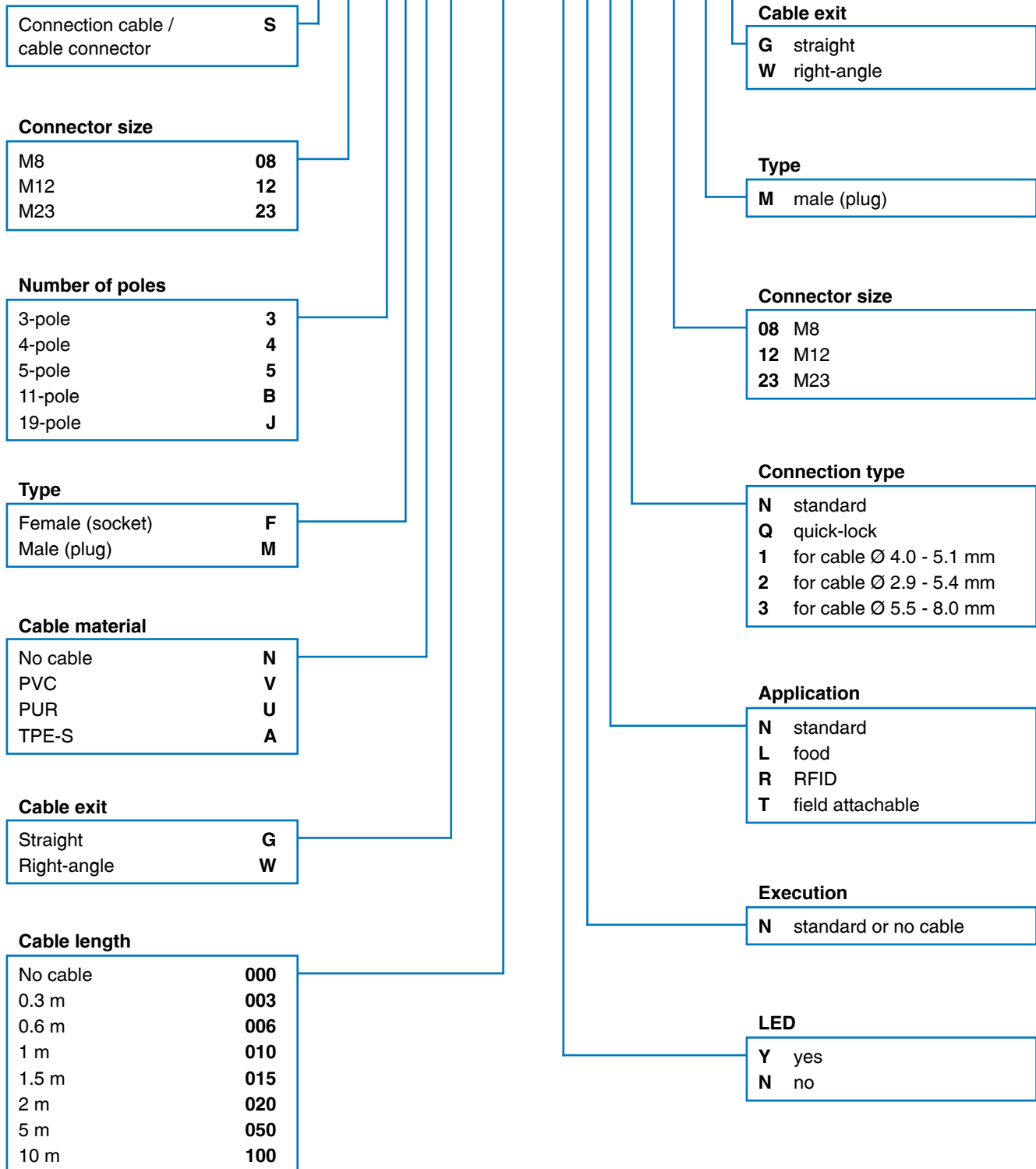
### Distribution boxes

#### V08-38PD-020-UYN(-XXX)



## Connection cables / cable connectors

### S12-4FAG-020[-NNLN-12MG]





## Europe

Austria  
 Belgium  
 Croatia  
 Czech Republic  
 Denmark  
 Finland  
 France  
 Germany  
 Great Britain  
 Greece  
 Hungary  
 Ireland  
 Italy  
 Luxembourg  
 Netherlands  
 Norway  
 Poland  
 Portugal  
 Romania

Slovakia  
 Slovenia  
 Spain  
 Sweden  
 Switzerland  
 Turkey

## Africa

South Africa

## The Americas

Argentina  
 Brazil  
 Canada  
 Chile  
 Colombia  
 Mexico  
 United States  
 Venezuela

## Asia

China

India  
 Indonesia  
 Japan  
 Korea  
 Malaysia  
 Pakistan  
 Philippines  
 Singapore  
 Taiwan  
 Thailand  
 Vietnam

## Australasia

Australia  
 New Zealand

## Middle East

Egypt  
 Iran  
 Israel  
 Syria

Terms of delivery and right to change design reserved.



**INDUSTRIAL  
SAFETY SALES INC.**

P.O. Box 126 -- 4112 Sheridan Road  
Kenosha, WI 53141  
Fax: (262) 652-1388  
E-mail: [safetysensing@earthlink.net](mailto:safetysensing@earthlink.net)

**(262) 652-8660**