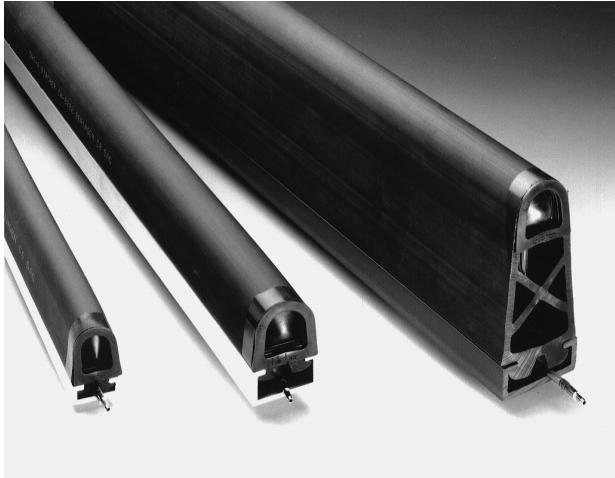


**DW-Pressure Wave Sensors**



**DWS-  
DWS-ALU/-PVC  
Contact Rails**

- Can be manufactured in any length
- Available in various materials
- Can be completed by customer

**Pressure Wave Profiles**

Deformation of the sensor (rubber profile, pressure socket, pressure button) causes the immediate compression of an air volume inducing a pressure wave impulse. This passes through the connecting hose to the DW-Switch.

**DWS-Profiles**

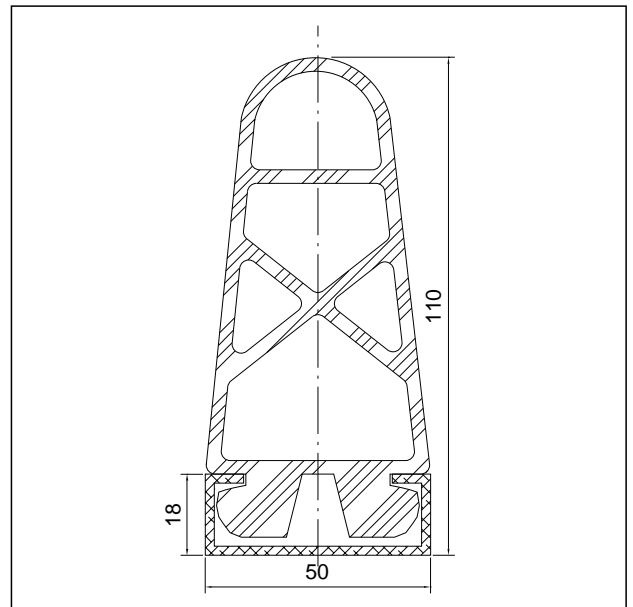
Switching Strips Type DWS

- are simple and robust sensors
- can be used in numerous applications

**Model Selection**

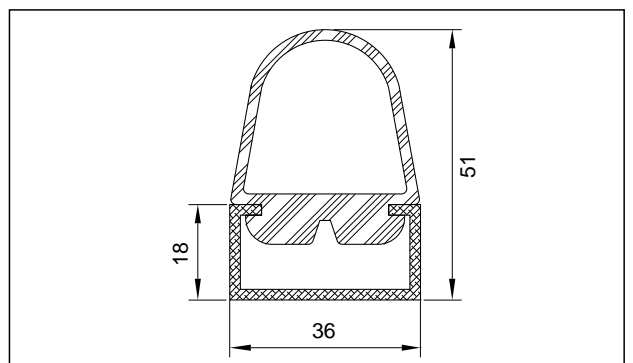
**DWS-X**

Material	PVC red and black
Air Cross-section	550mm <sup>2</sup>
Deformation Distance	50mm
Weight	
with fixing rail	2.65kg/m
without fixing rail	2.15kg/m
Fixing Rail	Hard-PVC black
Allowable Length	6m



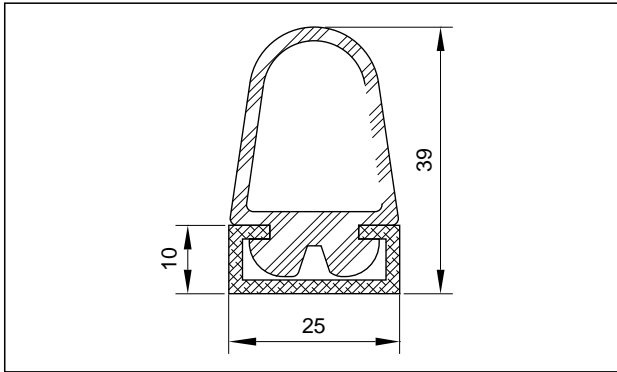
**DWS-A**

Material	PVC black, MVQ grey
Air Cross-section	550mm <sup>2</sup>
Deformation Distance	20mm
Weight	
with fixing rail	1.3kg/m
without fixing rail	0.8kg/m
Allowable Length	6m

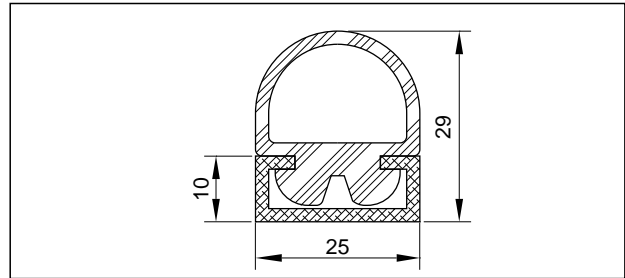


**DWS-B**

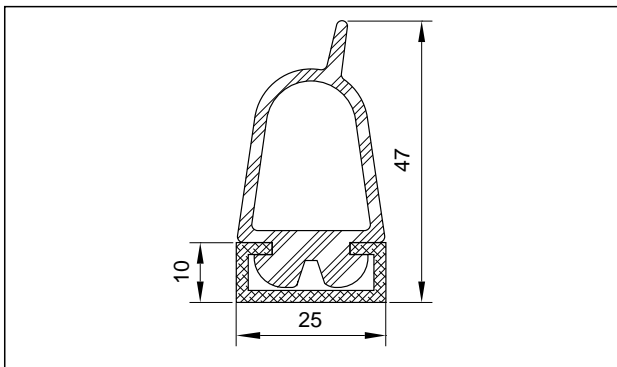
Material	PVC black, MVQ grey
Air Cross-section	400mm <sup>2</sup>
Deformation Distance	15mm
Weight	
with fixing rail	0.75kg/m
without fixing rail	0.42kg/m
Allowable Length	6m

**DWS-C**

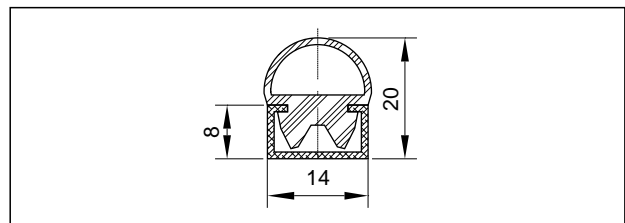
Material	PVC black, MVQ grey
Air Cross-section	180mm <sup>2</sup>
Deformation Distance	10mm
Weight	
with fixing rail	0.66kg/m
without fixing rail	0.33kg/m
Allowable Length	6m

**DWS-Bs**

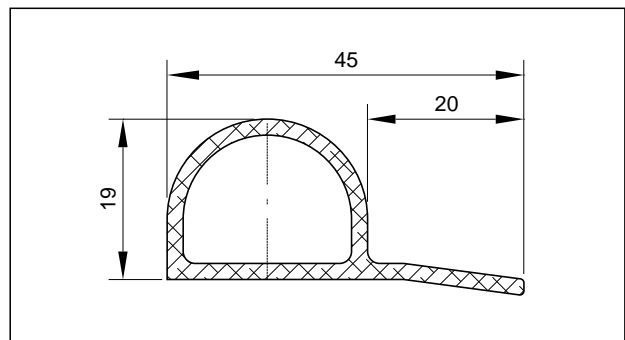
Material	PVC black, MVQ grey
Air Cross-section	400mm <sup>2</sup>
Deformation Distance	15mm
Weight	
with fixing rail	0.78kg/m
without fixing rail	0.46kg/m
Allowable Length	6m

**DWS-D**

Material	PVC black, MVQ grey
Air Cross-section	77mm <sup>2</sup>
Deformation Distance	5mm
Weight	
with fixing rail	0.27kg/m
without fixing rail	0.14kg/m
Allowable Length	6m

**DWS-P**

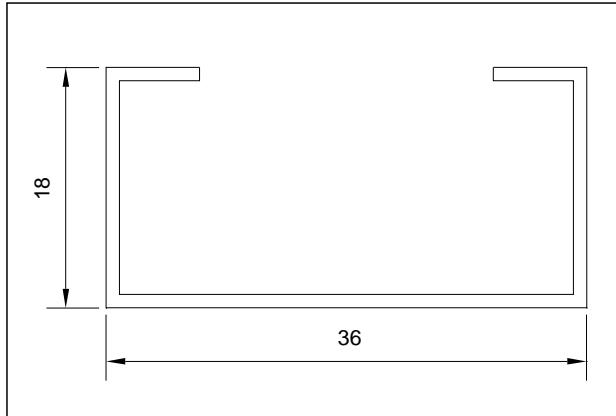
Material	PVC black
Air Cross-section	213mm <sup>2</sup>
Deformation Distance	15mm
Weight	0.3kg/m
Allowable Length	6m



## Model Selection Alu-Rails

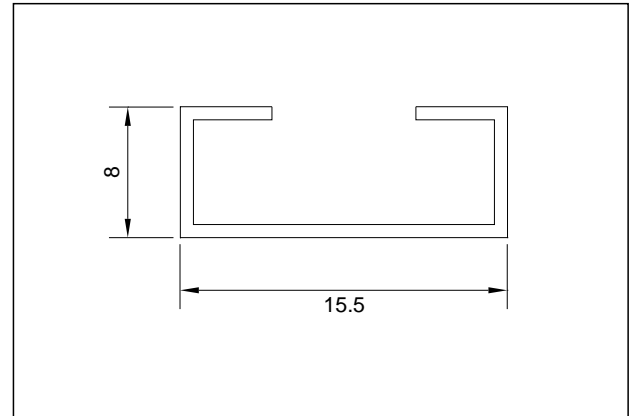
### DWS-ALU-A

Material Alu (AlMgSi05)  
Weight 0.54kg/m  
Application DWS-A



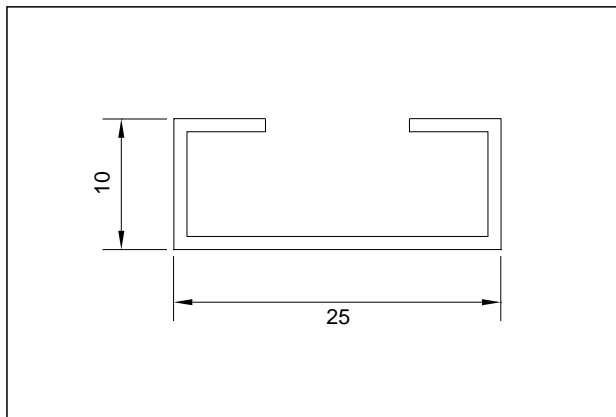
### DWS-ALU-D

Material Alu (AlMgSi05)  
Weight 0.32kg/m  
Application DWS-D



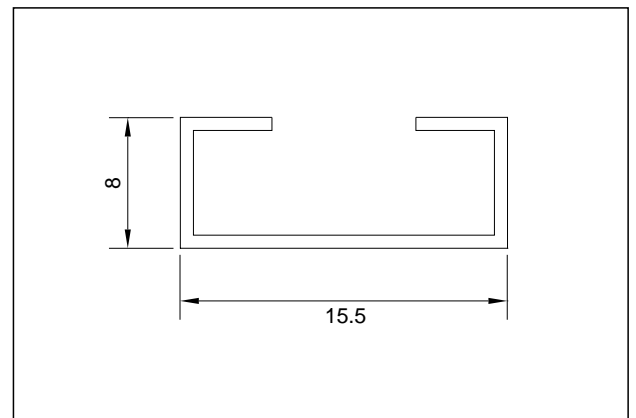
### DWS-ALU-B/-C

Material Alu (AlMgSi05)  
Weight 0.32kg/m  
Application DWS-B/-Bs/-B2s/-C



### DWS-PVC-X

Material PVC  
Weight 0.24kg/m  
Application DWS-X



## General Data

Profile Length	max. 6m
Length of DW	
Connecting Hose	max. 10m
	Diameter internal/external 2/4mm
Profile Material	Polyvinyl chloride PVC Silicone MVQ Nitrile rubber NBR
Manufacturing Tolerances (at 20°C)	
Width/Height	±2mm
Lengths up to 1000mm	±3mm
up to 2000mm	±5mm
up to 4000mm	±9mm
up to 6000mm	±15mm

## Order Information

e. g.	DWS-C L = 4500 PVC
Type (Sensor Complete)	
<b>DWS-A</b>	
<b>DWS-B</b>	
<b>DWS-Bs</b>	
<b>DWS-C</b>	
<b>DWS-D</b>	
<b>DWS-X</b>	
Length	
max. 6000mm	
Material	
<b>PVC Polyvinyl chloride PVC</b>	
NBR Nitrile rubber NBR	
MVQ Silicone	
e. g.	DWS-GC L = 3200 PVC
Type (Rubber Section)	
<b>DWS-GA</b>	
<b>DWS-GB</b>	
<b>DWS-GBs</b>	
<b>DWS-GC</b>	
<b>DWS-GD</b>	
<b>DWS-GX</b>	
Length	
max. 6000mm	
Material	
<b>PVC Polyvinyl chloride PVC</b>	
NBR Nitrile rubber NBR	
MVQ Silicone	