

# Metal-bodied safety switch with personnel protection function in forward and reverse movement

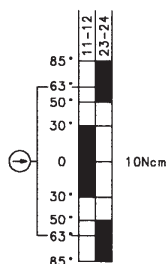
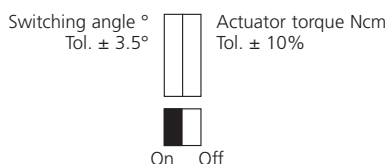
## ENM2-AHZ

Protection class IP 65



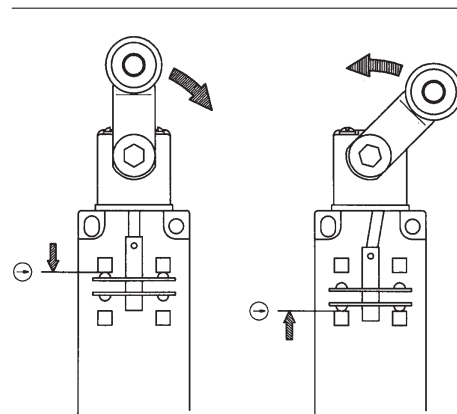
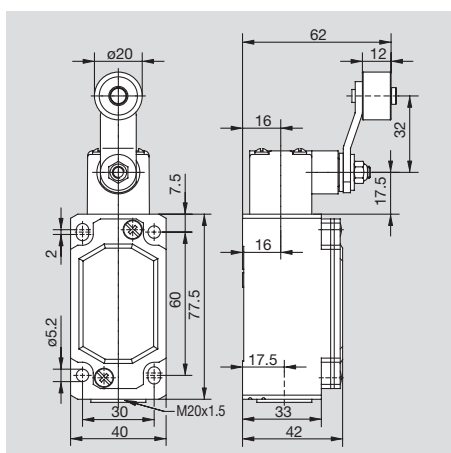
Designation  
**Part number**  
 Circuit diagram  
 ⊕ Forced disconnect to IEC 947-5-1 chapter 3  
 Za: not galvanically separated contacts  
 Zb: galvanically separated contacts  
 Slow make & break/snap-action  
 Internal seal (iw)/external seal (w)

ENM2-U1Z AHZ  
**608.7135.030**  
  
 ⊕ Zb  
 ●/-  
 iw



Voltage	max.	400 V AC
Permanent current	max.	10 A
In-rush current complies with standards		●
IEC 947-5-1 AC 15/DC 13		
Switching frequency	max.	100/min.
Mechanical life – number of switching actions		1 x 10 <sup>6</sup>
Operating temperature	min./max.	-30 °C/+80 °C -22 °F/+176 °F
Approvals		BG, UL, CSA
Weight		0,28 kg/0,62 lb
Delivery: ex-stock/built to order		●/-

All dimensions in mm (inch)



### Forced disconnect in forward and reverse travel AHZ

For special safety applications the forced disconnection of the NC contacts is not only achieved in the forward direction, but also in the reverse direction (back to standard position). For operator safety applications the roller must be positively guided in both directions.



**INDUSTRIAL  
SAFETY SALES INC.**

P.O. Box 126 -- 4112 Sheridan Road  
Kenosha, WI 53141  
Fax: (262) 652-1388  
E-mail: [safetysensing@earthlink.net](mailto:safetysensing@earthlink.net)

**(262) 652-8660**