

# AWAX 26XXL AND AWAX 27XXL

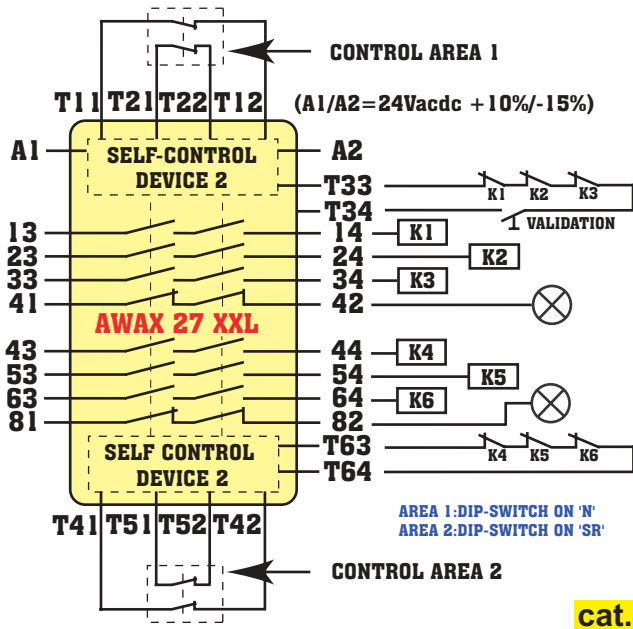
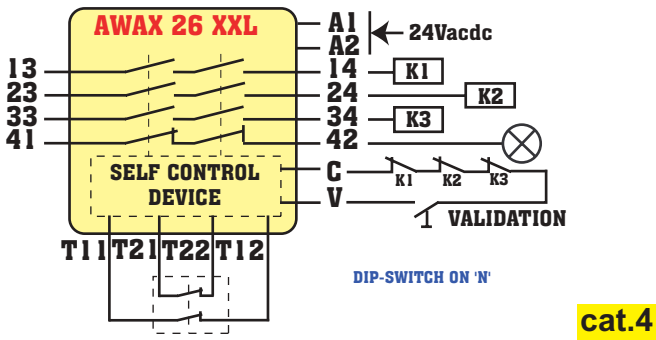
## MULTI-FUNCTION MODULES

- Low consumption inputs
- Control of switches with Acotom<sup>®</sup> process
- Control of mechanical safety systems (grip switch, foot switch...)
- Dip switch to choose reset mode (automatic/manual)
- DLC system
- Dual area control (Awax27XXL)
- Power supply 24Vac/dc
- 22,5 mm or 45 mm housing
- Plug-in terminals

### SAFETY CATEGORY

**AWAX26XXL** : category 4 according to EN 954-1  
**AWAX27XXL** : category 4 according to EN 954-1  
 EN 292, EN 418, EN 1088, EN 60204-1

### WIRING DIAGRAM



8A/250Vac  
8A/50Vdc

CAT. 4

DLC SYSTEM

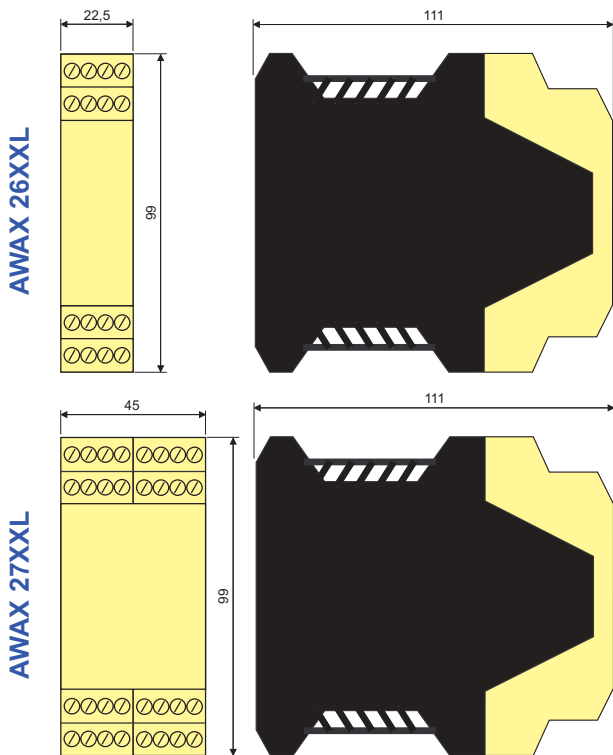
UP TO 8 LINES

PLUG-IN TERMINALS

POLYVALENT



### DIMENSIONS



### ADVICE

These safety modules are able to control up to 30 switches when there is an external power supply.



**INDUSTRIAL  
SAFETY CONTROLS INC.**

P.O. Box 126 -- 4112 Sheridan Road  
Kenosha, WI 53141

**(262) 652-8660 -- Fax: (262) 652-1388**

E-mail: [safetysensing@earthlink.net](mailto:safetysensing@earthlink.net)